

English

Automatic Gate Openers

International registered trademark n. 804888

FULL TANK

HYDRAULIC OPERATOR FOR SWING GATES



INSTALLATION MANUAL and Safety Information

SEA S.p.A.
Zona industriale 64020 S. ATTO Teramo - (ITALY)
Tel. +39 0861 588341 r.a. Fax +39 0861 588344
www.seateam.com
seacom@seateam.com

TECHNICAL FEATURES

The **FULL TANK** is a high quality hydraulic operator for condominium use with leaf length up to 7 m
Available in the following versions:

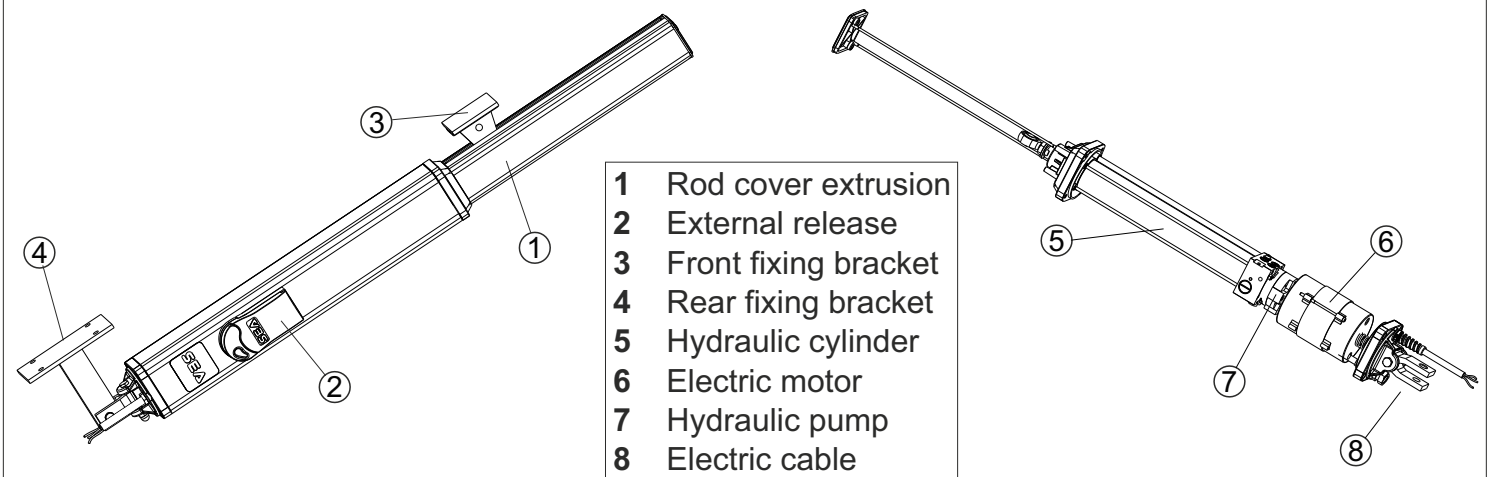
AC (with lock in opening and closing position)
SA (with lock only in opening position)

SC (with lock only in closing position)
SB (without lock)

Hydraulic locking is guaranteed on gates with length up to 1.80 m with Full Tank 270 and Mini Tank and with length up to 2.20 m with Half Tank 390. Both are equipped with by-pass valves for the power regulation in both opening and closing. Electronic adjustable slow-down in opening and closing through control unit (*the exclusion of electronic slow-down is recommended in case of operators with hydraulic slowdown*). The European laws in force strongly recommend to use the POSITION GATE (linear encoder) to read the gate position, and reverse in case of obstacle.

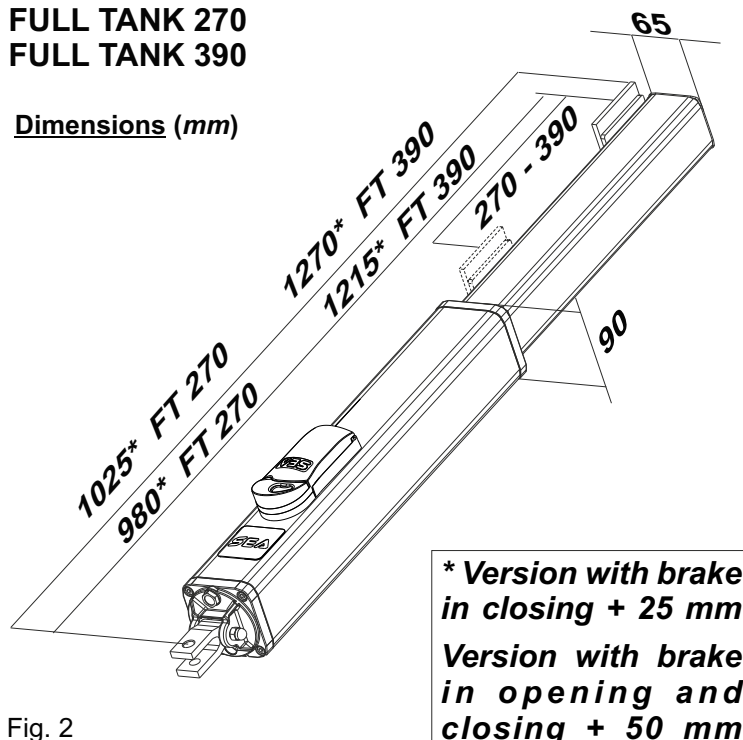
⚠ In case of leaf lengths greater than 1.80 m or 2.20 m (see above) or in the case of installations in windy places or in case of closed paneled gates, the use of an electric lock is mandatory on all versions, moreover, the exclusion of the electronic deceleration is recommended or the use of operators with hydraulic deceleration (on request) is recommended.
For SB versions, the use of the electric lock is always mandatory

COMPONENTS

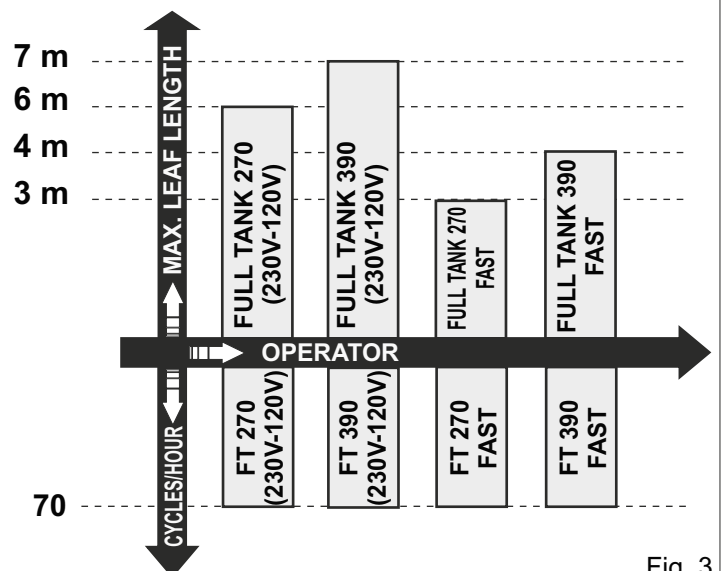


FULL TANK 270 FULL TANK 390

Dimensions (mm)



FULL TANK USING GRAPHIC



FULL TANK

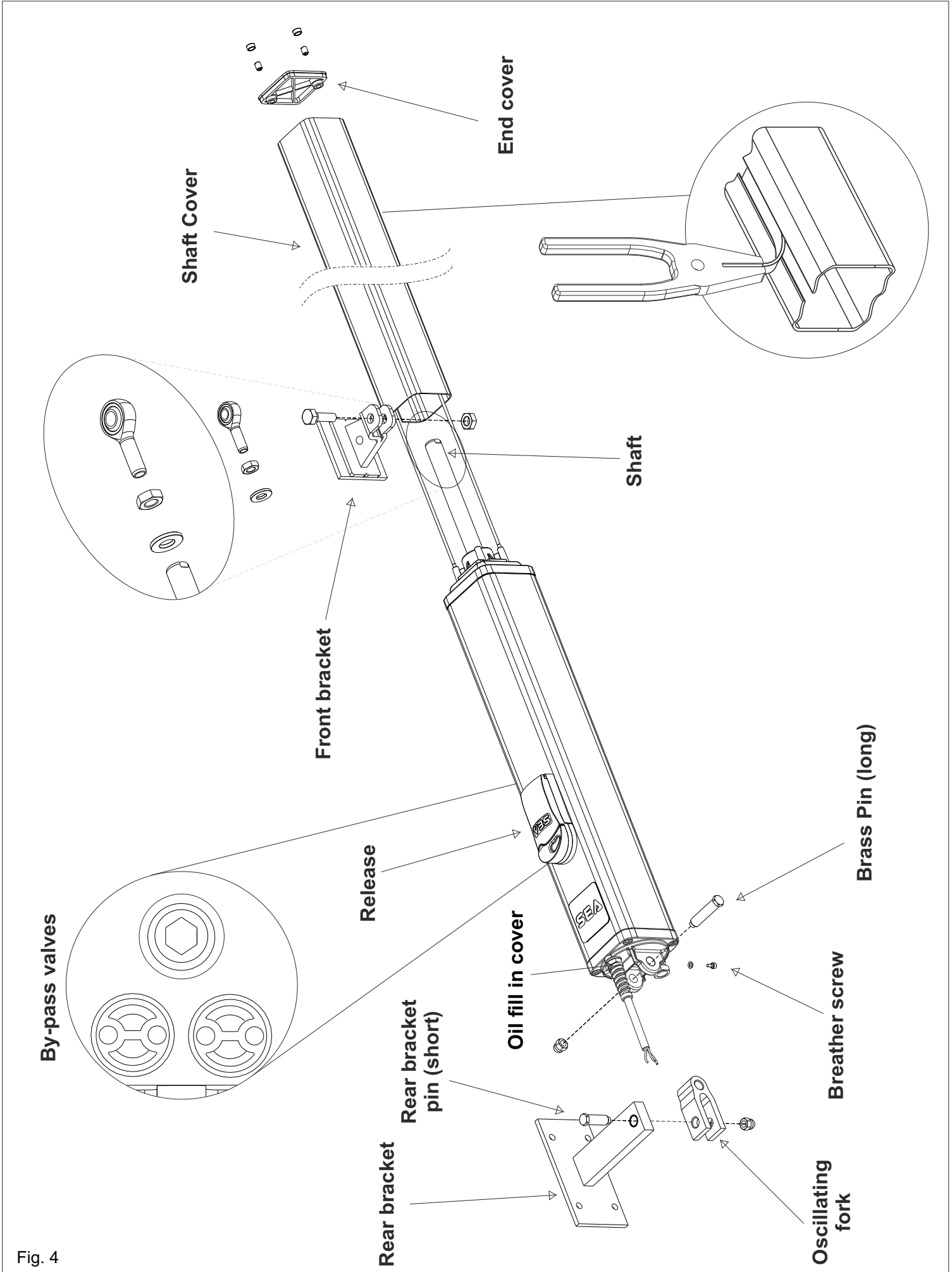


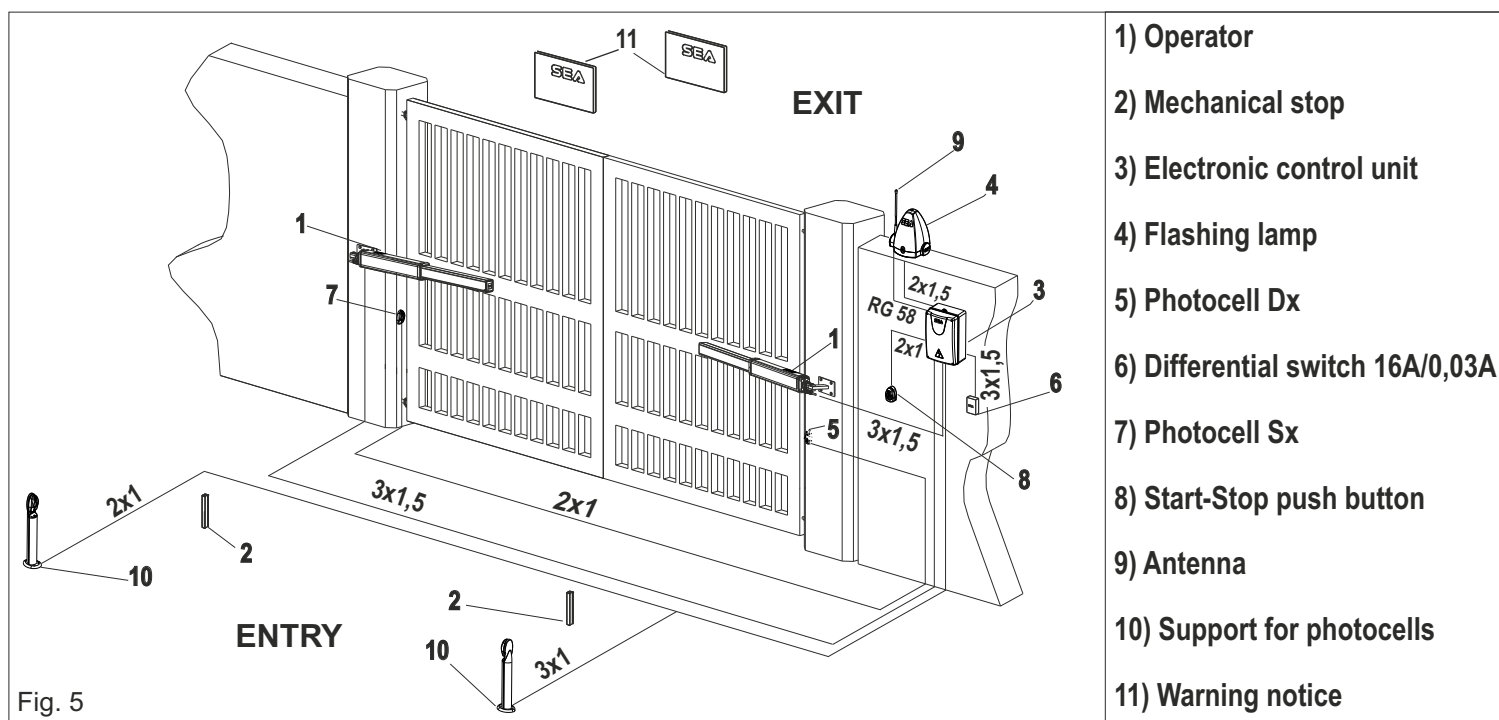
Fig. 4

| TECHNICAL FEATURES | FT 270 (230V) | FT 390 (230V) | FT 270 (120V) | FT 390 (120V) | FT 270 FAST | FT 390 FAST |
|-----------------------------|-------------------------------|---------------|---------------|---------------|-----------------------------|-------------|
| Power supply | 230V ($\pm 5\%$) 50/60 Hz | | 120V 60 Hz | | 230V ($\pm 5\%$) 50/60 Hz | |
| Power | 220 W | | 300 W | | 310 W | |
| Absorbed current | 1 A | | 2,45 A | | 1,5 A | |
| Stroke | 270 mm | 390 mm | 270 mm | 390 mm | 270 mm | 390 mm |
| Shaft speed | 1 cm/s | 1,5 cm/s | 1,2 cm/s | 1,7 cm/s | 3,35 cm/s | |
| Cycles hour (at 20°C Temp.) | 70 | | | | | |
| Max working pressure | 40 bar | 30 bar | 40 bar | | 35 bar | |
| Operating temperatures | -20°C ∇ +55°C ∇ | | | | | |
| Thermal protection | 130°C | | | | | |
| Max Thrust | 640da N | | | 480 daN | 500 daN | |
| Capacitor | 12,5 μ F | | 60 μ F | | 12,5 μ F | |
| Weight | 12,8 Kg | 15,2 Kg | 12,8 Kg | 15,2 Kg | 13 Kg | 15,4 Kg |
| Protection class | IP55 | | | | | |
| Max leaf length | 6 m | 7 m | 6 m | 7 m | 3 m | 4 m |
| Opening degree of the leaf | 90° / 125° | | | | | |

Note: The frequency of use is valid only for the first hour at 20°C room temperature.

Note: in non-automatic logic, use operators without lock.

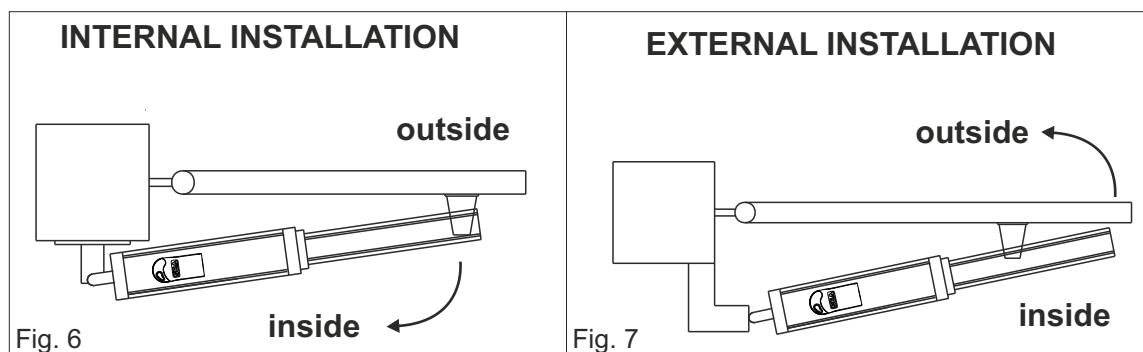
STANDARD INSTALLATION



- 1) Operator
- 2) Mechanical stop
- 3) Electronic control unit
- 4) Flashing lamp
- 5) Photocell Dx
- 6) Differential switch 16A/0,03A
- 7) Photocell Sx
- 8) Start-Stop push button
- 9) Antenna
- 10) Support for photocells
- 11) Warning notice

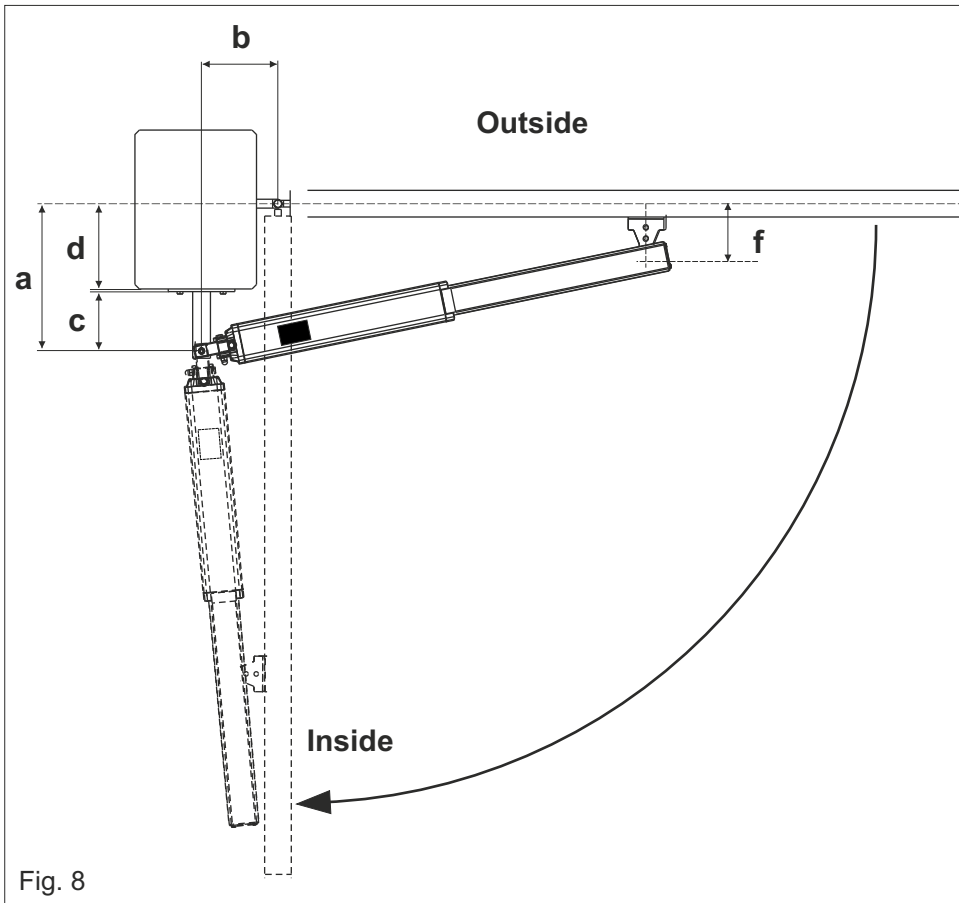
TYPE OF INSTALLATION

It is possible to install the operator with the opening towards the inside (Fig. 6) or towards the outside (Fig. 7)



Install the operator always on the inside of the property

INSIDE OPENING INSTALLATION



** The « f » dimension has been calculated for a 40 mm thick gate*

To obtain 110° with d > 55 mm it is necessary to make a niche in the gate

To obtain 125° with d > 55 mm it is necessary to make a niche in the gate

Fig. 8

FULL TANK 270

Total stroke 270 mm - max suggested stroke 250 mm

| a (mm) | b (mm) | d _{max} (mm) | f* (mm) | Max opening angle | Stroke for 90° (mm) | Max stroke (mm) |
|--------|--------|-----------------------|---------|-------------------|---------------------|-----------------|
| 100 | 115 | 50 | 96 | 110° | 250 | 215 |
| 100 | 150 | 50 | 96 | 90° | 250 | |
| 105 | 110 | 55 | 96 | 110° | 245 | 215 |
| 105 | 145 | 55 | 96 | 90° | 250 | |
| 120 | 105 | 70 | 96 | 106° | 250 | 225 |
| 120 | 130 | 70 | 96 | 90° | 250 | |
| 125 | 125 | 75 | 96 | 90° | 250 | |
| 140 | 95 | 90 | 96 | 100° | 250 | 235 |
| 140 | 110 | 90 | 96 | 90° | 250 | |
| 145 | 95 | 95 | 96 | 100° | 255 | 242 |
| 145 | 105 | 95 | 96 | 90° | 250 | |
| 150 | 100 | 100 | 96 | 90° | 250 | |
| 155 | 85 | 105 | 96 | 96° | 250 | 242 |
| 160 | 90 | 110 | 96 | 90° | 253 | |
| 170 | 75 | 120 | 96 | 92° | 250 | |
| 180 | 65 | 130 | 96 | 92° | 250 | |

FULL TANK 390

Total stroke 390 mm - max suggested stroke 370 mm

| a (mm) | b (mm) | d _{max} (mm) | f* (mm) | Max opening angle | Stroke for 90° (mm) | Max stroke (mm) |
|--------|--------|-----------------------|---------|-------------------|---------------------|-----------------|
| 125 | 170 | 75 | 123 | 125° | 368 | 295 |
| 130 | 170 | 80 | 123 | 125° | 372 | 300 |
| 140 | 235 | 90 | 123 | 90° | 370 | |
| 145 | 165 | 95 | 123 | 120° | 372 | 310 |
| 145 | 230 | 95 | 123 | 90° | 370 | |
| 160 | 210 | 110 | 123 | 90° | 370 | |
| 175 | 195 | 120 | 123 | 90° | 370 | |
| 185 | 145 | 130 | 123 | 110° | 370 | 330 |
| 185 | 190 | 130 | 123 | 90° | 370 | |
| 195 | 140 | 140 | 123 | 110° | 371 | 355 |
| 195 | 175 | 140 | 123 | 90° | 370 | |
| 240 | 110 | 185 | 123 | 100° | 370 | 355 |
| 240 | 125 | 185 | 123 | 90° | 370 | |
| 250 | 105 | 195 | 123 | 95° | 370 | 360 |
| 250 | 115 | 195 | 123 | 90° | 370 | |
| 260 | 95 | 205 | 123 | 95° | 369 | 365 |
| 260 | 100 | 205 | 123 | 90° | 370 | |
| 270 | 90 | 215 | 123 | 90° | 370 | |
| 280 | 80 | 230 | 123 | 90° | 370 | |
| 295 | 65 | 245 | 123 | 90° | 369 | |

OUTSIDE OPENING INSTALLATION

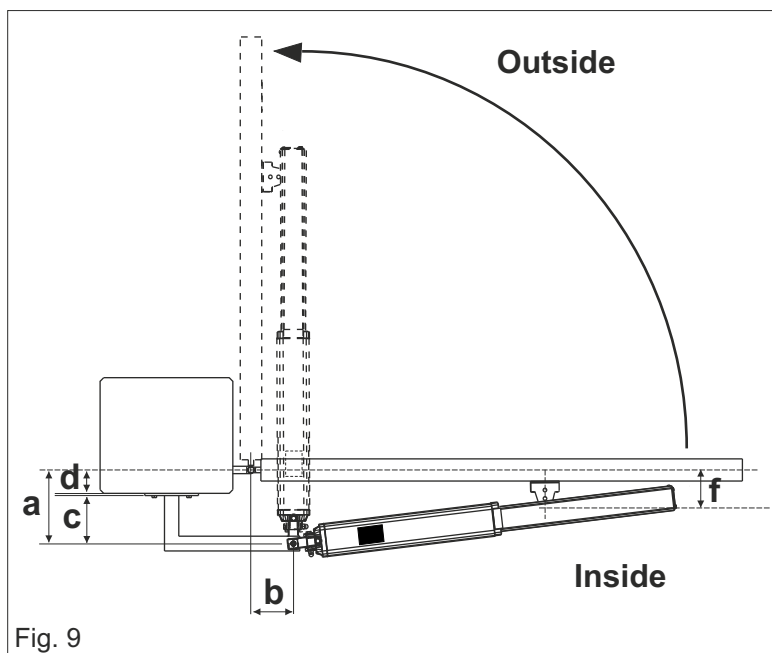


Fig. 9

* The « f » dimension has been calculated for a 40 mm thick gate

FULL TANK 270

Total stroke 270 mm - max suggested stroke 250 mm

| a (mm) | b (mm) | f* (mm) | Max opening angle | Stroke for 90° (mm) | Max stroke (mm) |
|--------|--------|---------|-------------------|---------------------|-----------------|
| 150 | 90 | 96 | 95° | 250 | 240 |
| 160 | 90 | 96 | 90° | 250 | |
| 165 | 80 | 96 | 95° | 249 | 243 |
| 175 | 80 | 96 | 90° | 250 | |
| 180 | 70 | 96 | 90° | 250 | |
| 180 | 65 | 96 | 90° | 241 | |

FULL TANK 390

Total stroke 390 mm - max suggested stroke 370 mm

| a (mm) | b (mm) | f* (mm) | Max opening angle | Stroke for 90° (mm) | Max stroke (mm) |
|--------|--------|---------|-------------------|---------------------|-----------------|
| 250 | 100 | 123 | 100° | 356 | 342 |
| 255 | 95 | 123 | 95° | 345 | 336 |
| 265 | 95 | 123 | 95° | 342 | 335 |
| 270 | 90 | 123 | 90° | 330 | |
| 275 | 90 | 123 | 90° | 325 | |
| 275 | 90 | 123 | 90° | 319 | |

INSTALLATION ON MASONRY PILLARS, MAKING A NICHE

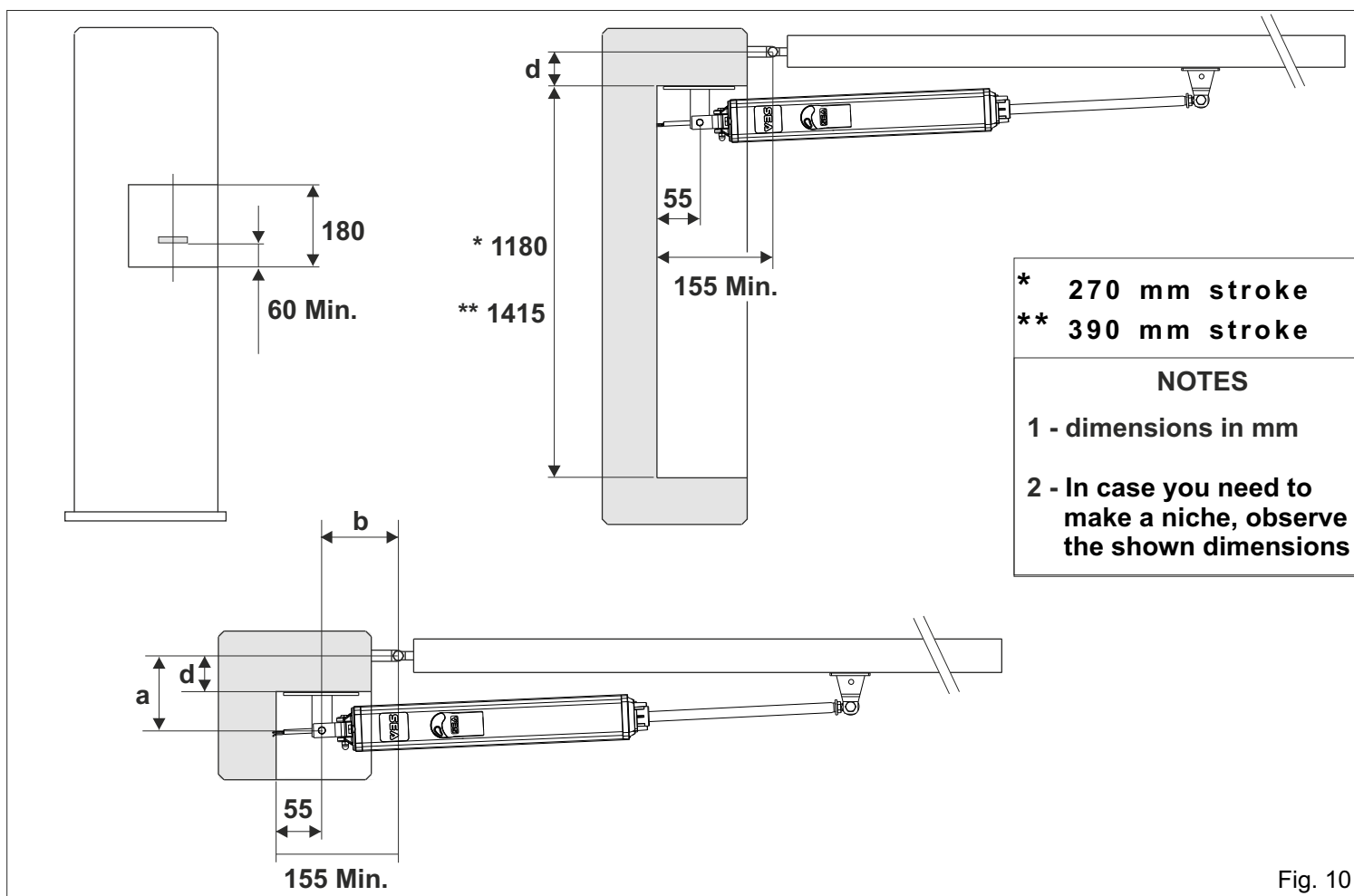


Fig. 10

RELEASE MOUNTING

1- Remove the transporting plate

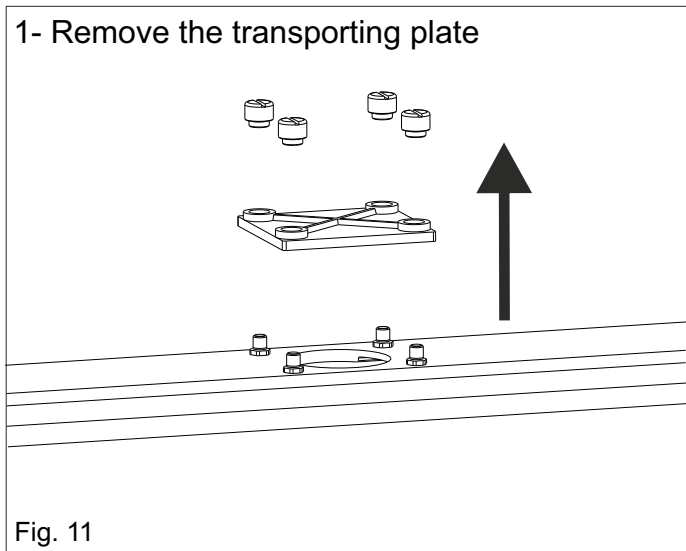


Fig. 11

2 -Mount the release

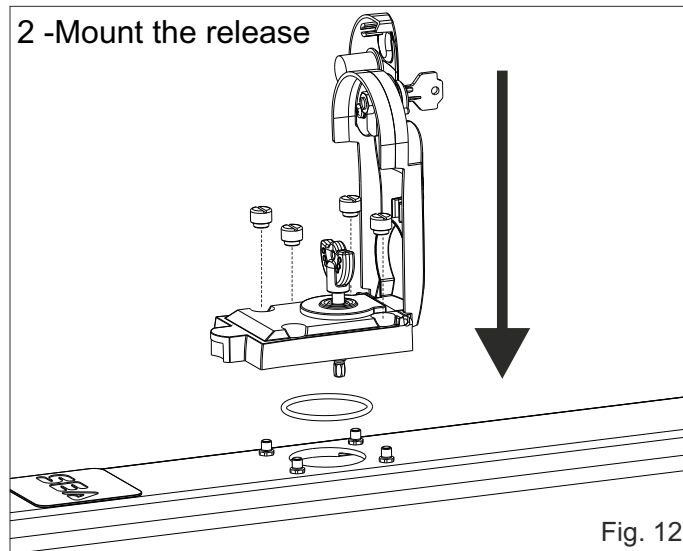


Fig. 12

INSTALLATION OF THE OSCILLATING REAR BRACKET

PRELIMINARY NOTES

- Open carefully the package, making sure not to loose parts which are listed in Fig. 4
- Fasten the rear oscillating bracket as shown in Fig. 13

Attention: *DO NOT use a hammer for the insertion of the short brass pin; its fitting into the bracket and clevis attachment must be done by the simple pressure of the hands.*

Attention: *DO NOT incline the hydraulic operator further than the allowed angle of the oscillating bracket (1), risks the possible braking of it*

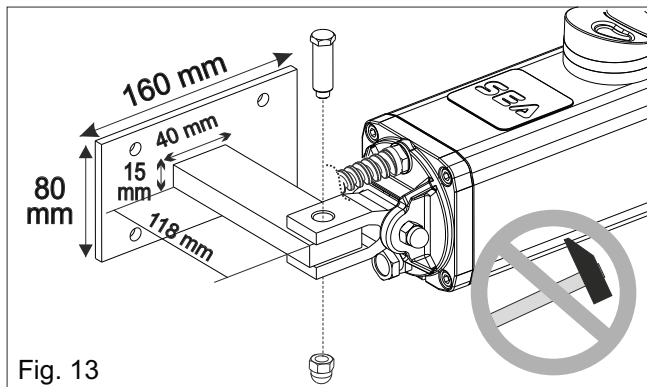


Fig. 13

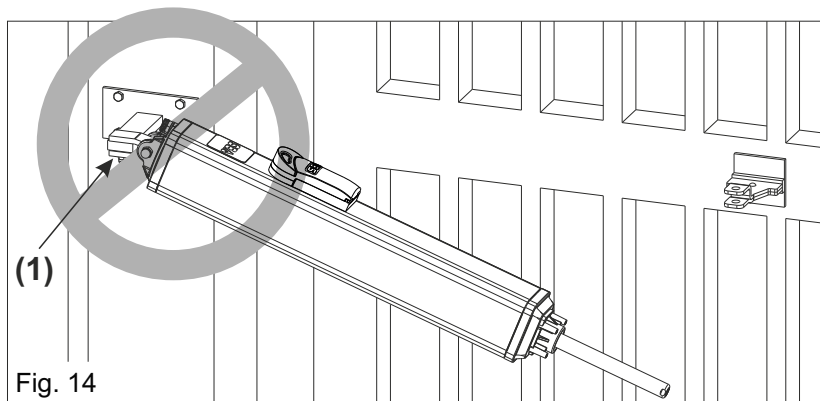


Fig. 14

INSTALLATION OF THE REAR BRACKET

According to the chosen type of opening (inside or outside) and to the chosen leaf rotation, the rear bracket must first be cut respecting the « a » dimension shown on pages 18 and 19 and then welded (Fig. 16). The support must be positioned so that the operator is perfectly leveled (Fig. 17)

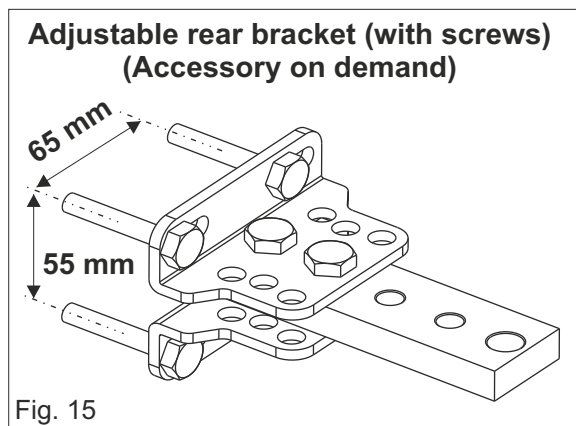


Fig. 15

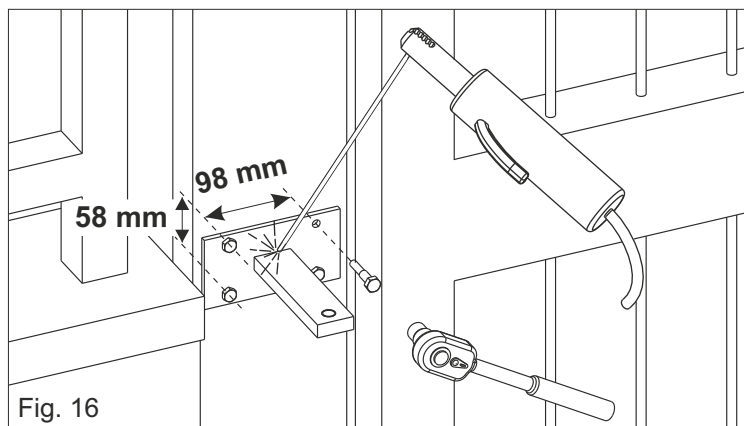


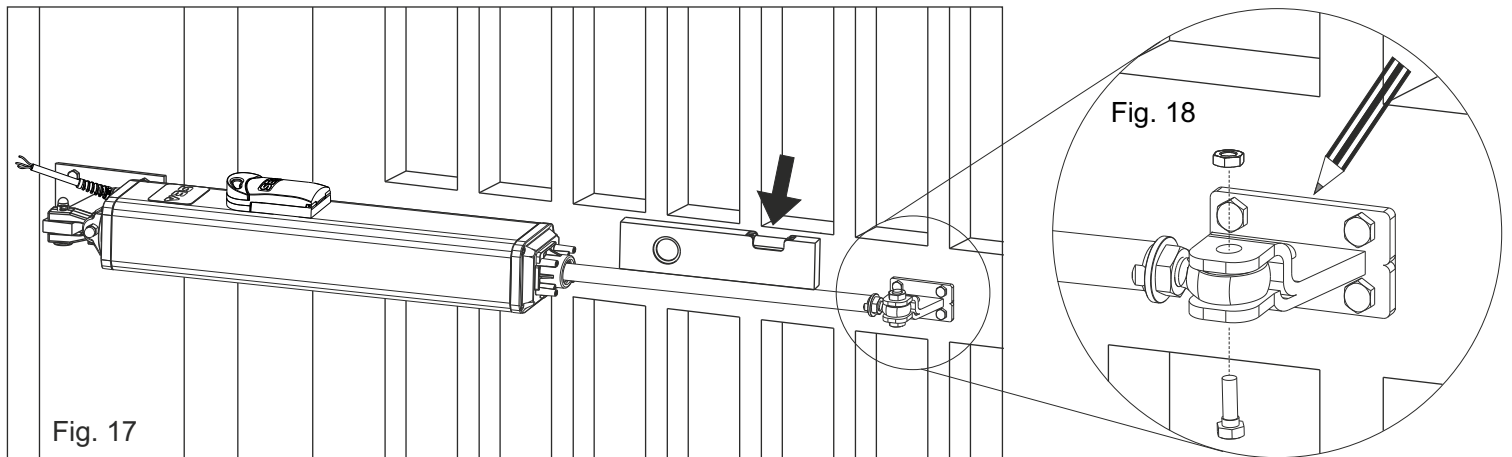
Fig. 16

FRONT BRACKET INSTALLATION

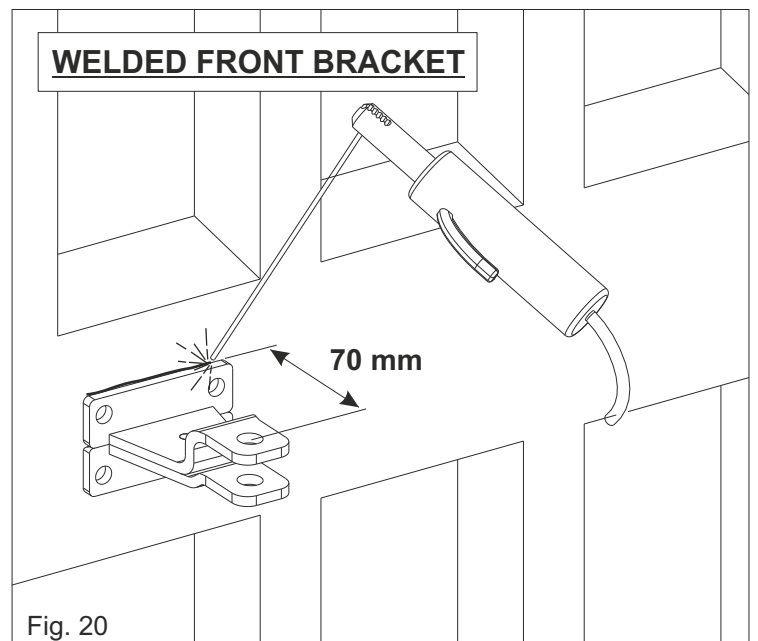
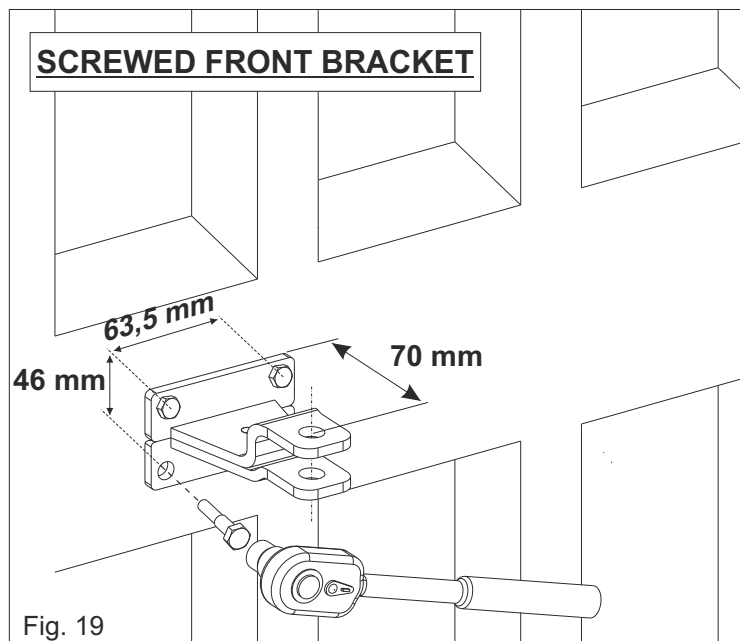
Once the operator is attached to the post and the leaf set in the closed position execute the following operations:

- 1) Release the operator
- 2) Pull-out completely the chromate shaft, **then push it back in 1 cm**
- 3) Attach the shaft to the front bracket (Fig. 17)
- 4) Set the operator perfectly leveled and mark the position of the front bracket (Fig. 18)

Attention: avoid the welding of the front bracket to the shaft of the hydraulic operator already attached; the welding scraps (daps) could ruin the chromium plating of the shaft



According to the nature of the gate (wood, steel, aluminium), the front brake can be screwed or welded



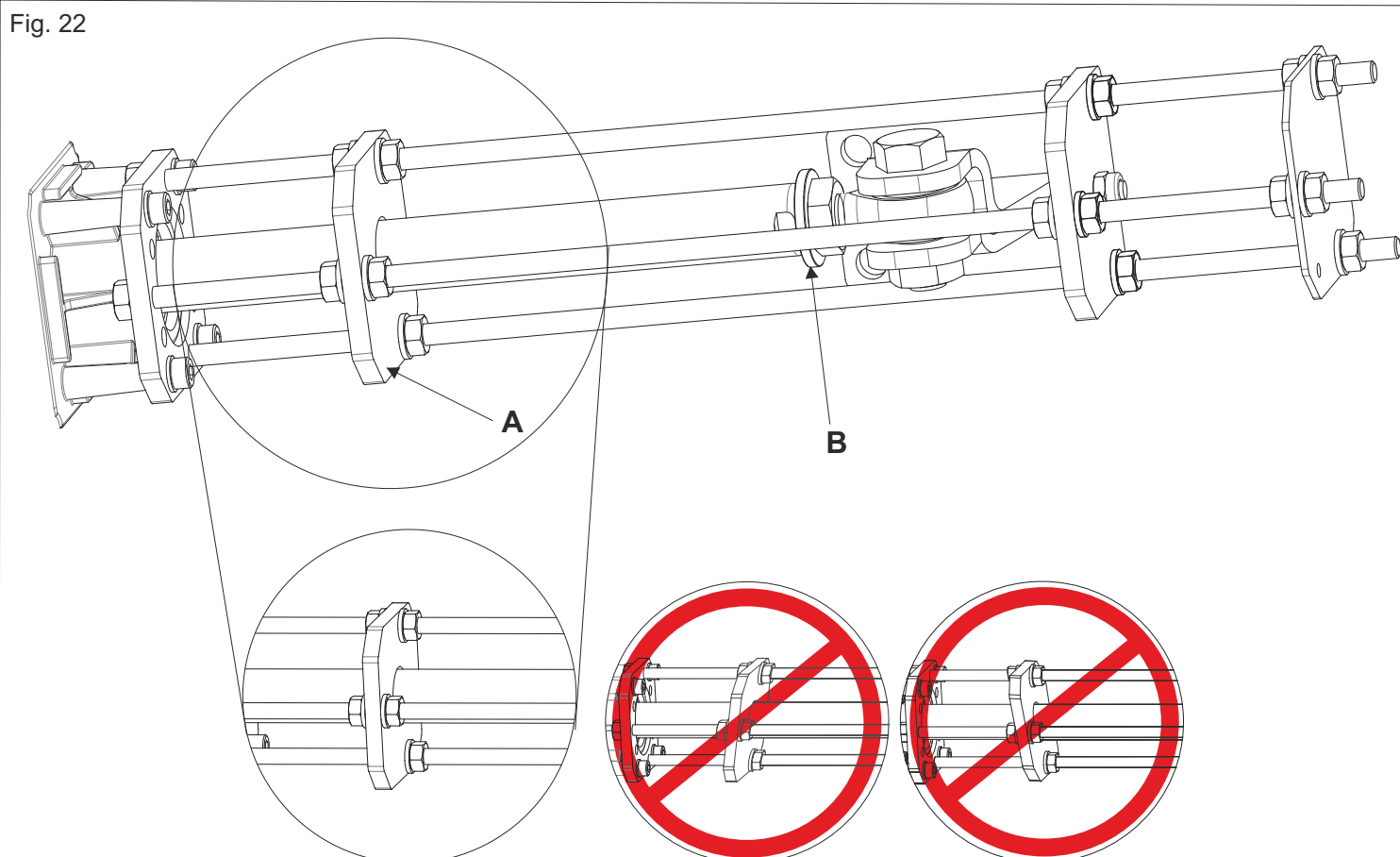
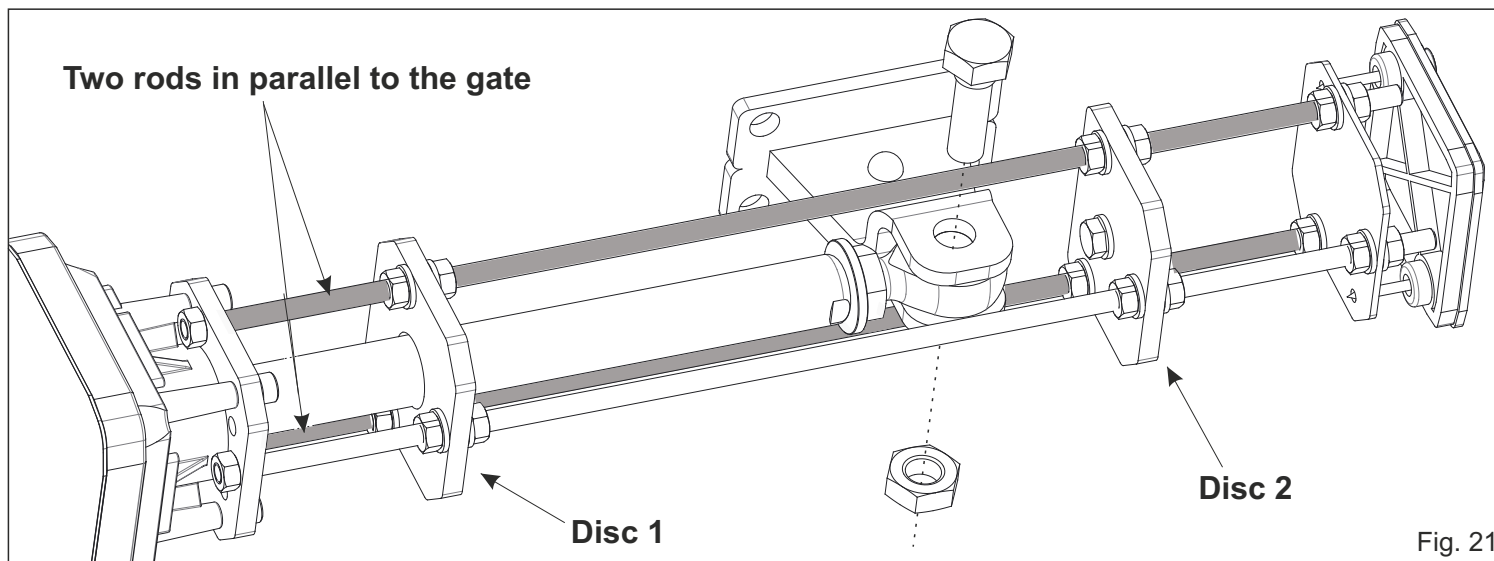
The front bracket must be positioned so that the operator is perfectly leveled

INSTALLATION OF POSITIVE STOPS

(Accessory on demand)

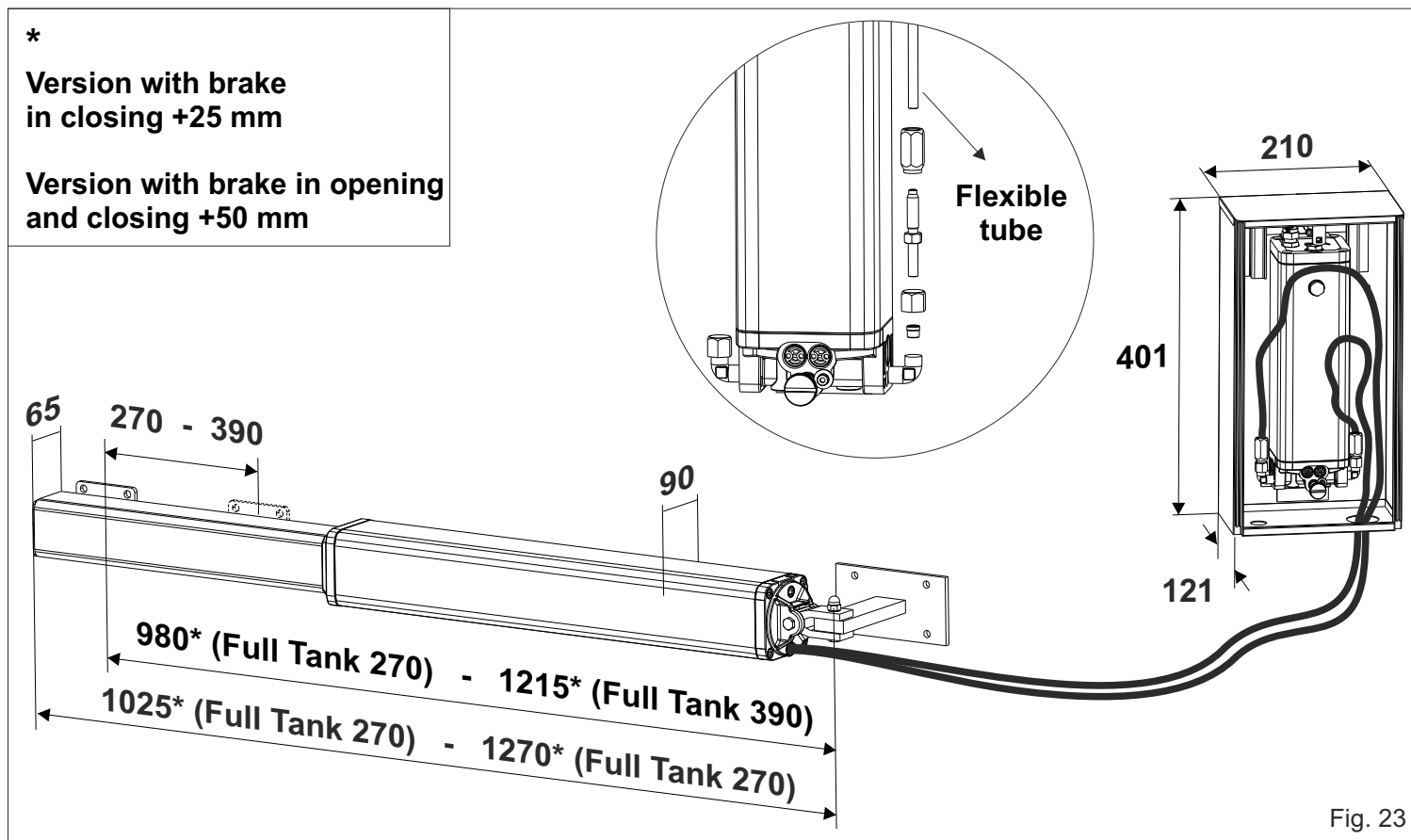
- 1) Release the unit (as in Fig. 30)
- 2) Let the rod come out about 3/4 of its run
- 3) Put the positive stop on the front flange of the unit with at least two rods in parallel to the gate (two of the three rods of the mechanical stop) (Fig. 21)
- 4) Fix the positive stop with the two included screws
- 5) Hook the rod on the front bracket
- 6) To adjust the positive stop in opening act on disc 1; in closing act on disc 2

⚠ the mounting of the mechanical stop does not cause the reduction of the stroke



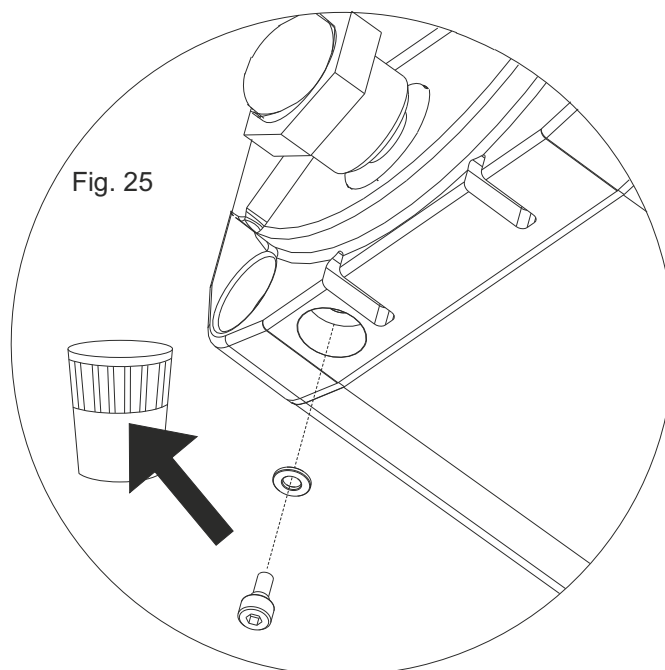
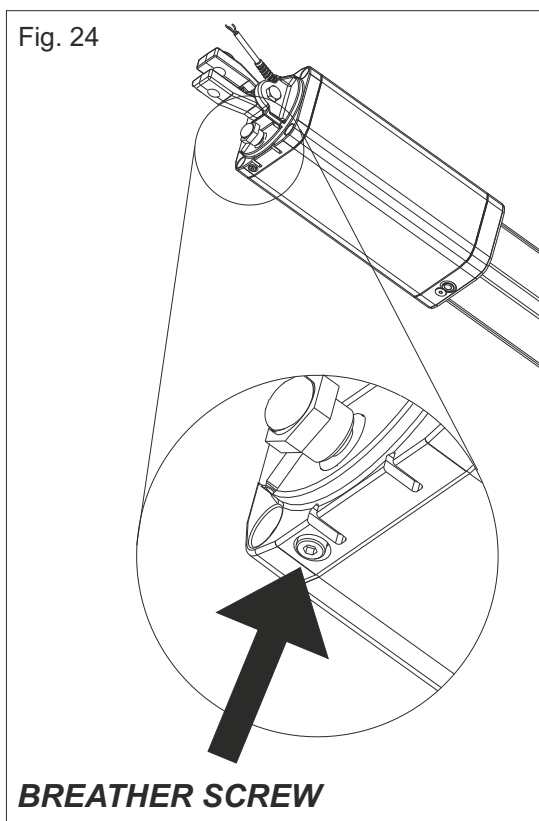
⚠ ATTENTION: Make sure that the two discs A and B perfectly fit in the opening phase

FULL TANK WITH SEPARATE HYDRAULIC UNIT



BREATHER SCREW

! ATTENTION: It is obligatory to remove the breather screw at the end of the installation



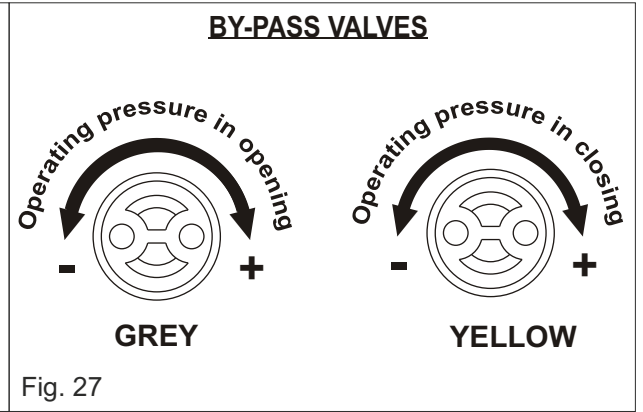
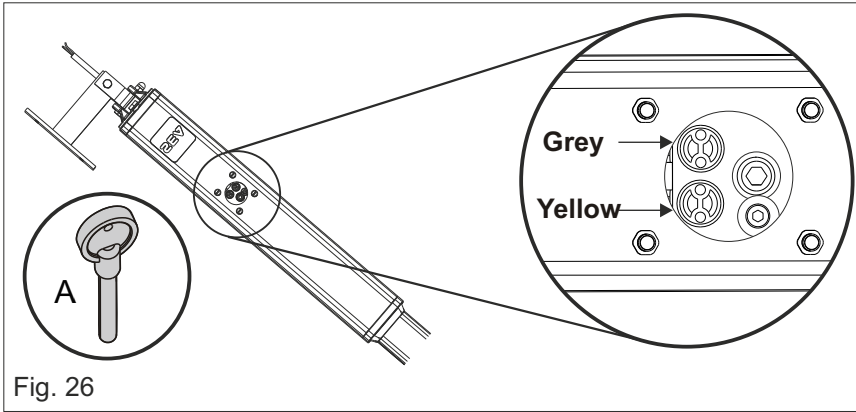
! Unscrew and remove the screw under the operator at the end of installation

TORQUE ADJUSTMENT (By-Pass Valves)

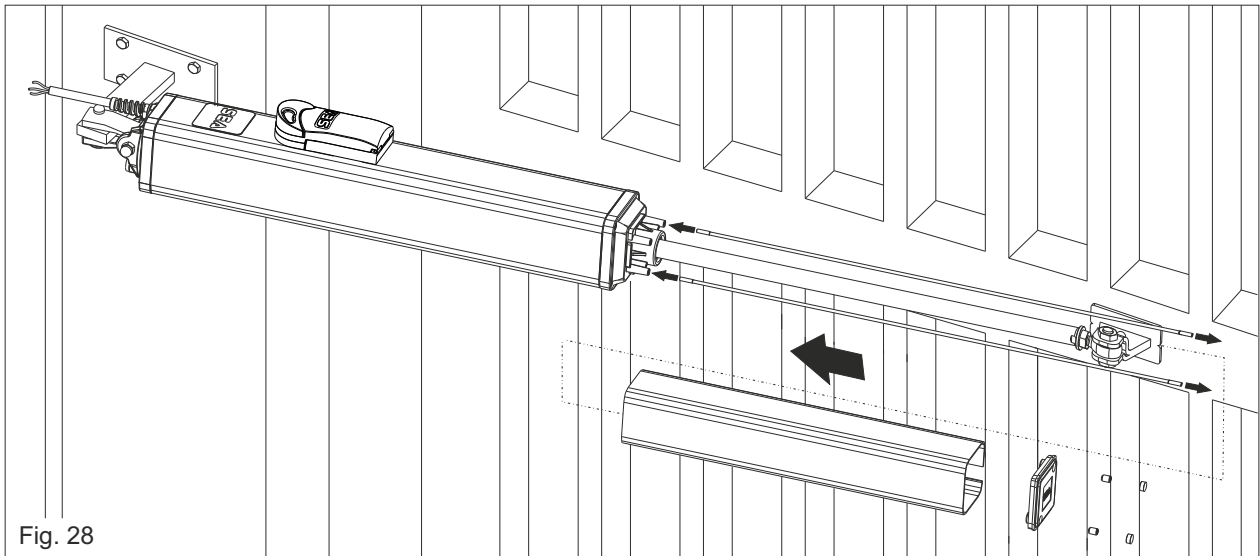
To adjust the by-pass valves (eg. periodical maintenance) use the supplied wrench « A ».

NOTE: Regulate the opening and closing forces of the gate respecting the force diagram (as per the EN12453 Law); the thrust force however must not be superior than 15 KgF

ATTENTION: The valves must be adjusted in parallel, there must be no calibration differences between them (ie. between opening and closing). Example: if you adjust the gray valve by half a turn, then the yellow valve must also be adjusted in the same way

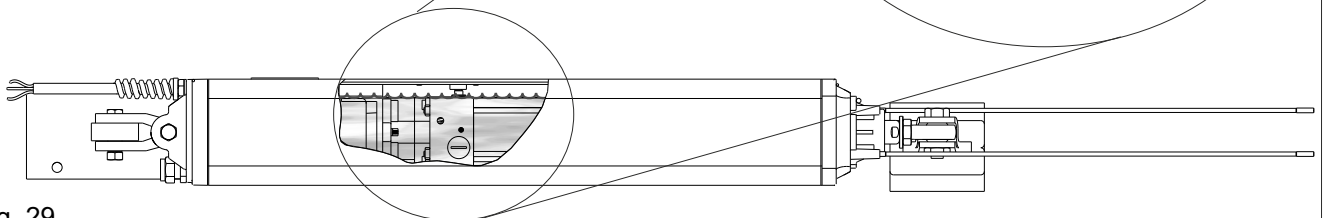
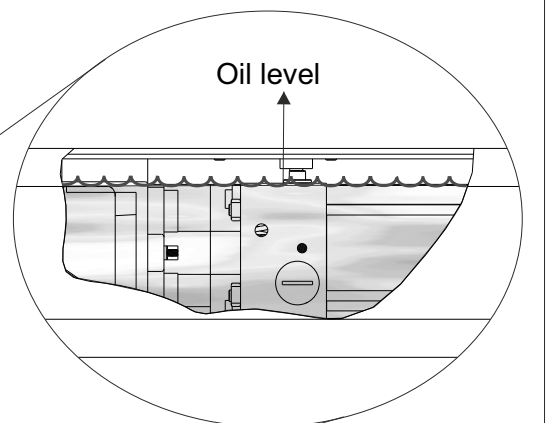
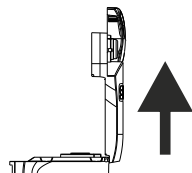


INSTALLATION OF THE CHROME PLATED SHAFT COVER



OIL LEVEL MEASUREMENT

⚠ The oil level should be measured with the rod inserted into the operator and must stand in accordance with the distributor



FULL TANK ACCESSORIES



KEY SWITCH



PHOTOCELLS



RADIO RECEIVER



TRANSMITTER



POSITION GATE



SUPPORTS
FOR
PHOTOCELLS



POSITIVE STOPS



ELECTRIC LOCK



EXTERNAL
LOOP
DETECTOR



CONTROL UNIT



FLASHING LAMP

TO THE ATTENTION OF THE TECHNICIAN AND THE END-USER

RELEASE SYSTEM

To release operate as follows:

open the lock cover, insert the key, turn it about 90° clockwise (Fig. 30) and open the lid. Take the red key located under the lid, insert it and turn it about 90° anti-clockwise (Fig. 31)

To relock the operator do as follows:

turn the red key clockwise until it stops (Fig. 31), remove it, put it under the lid and close the lid again.

Attention: Turning the key over 1 turn (360°) could damage the release.

Turn the key anti-clockwise to tighten the lid, remove the key and close the lock cover.

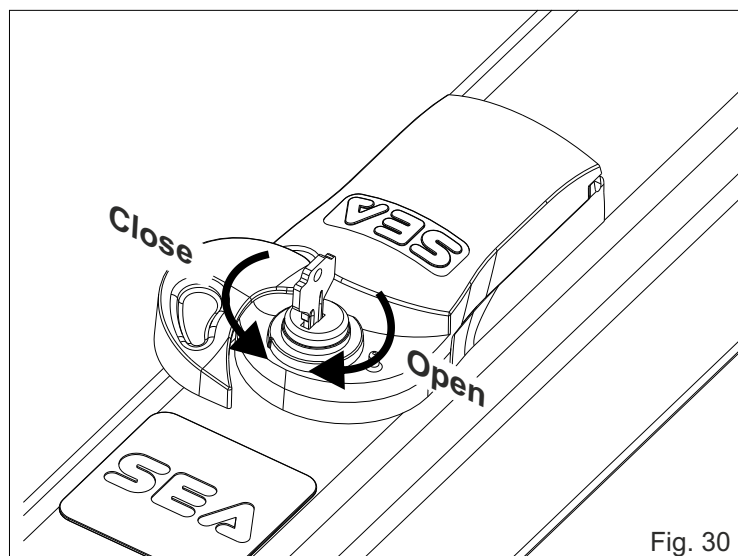


Fig. 30

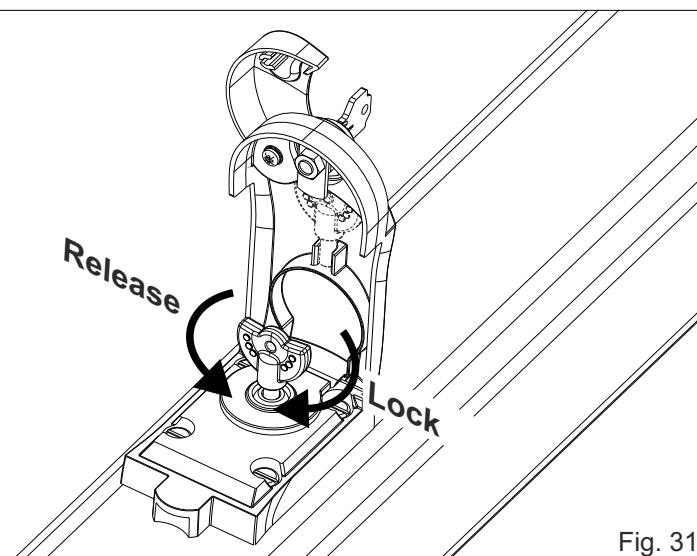


Fig. 31

WARNING: SEA recommends to the end user to release the operator only after having switched off the electric power. Always contact a professional installer in case of not correct working of the operator

TO THE ATTENTION OF THE TECHNICIAN AND THE END-USER

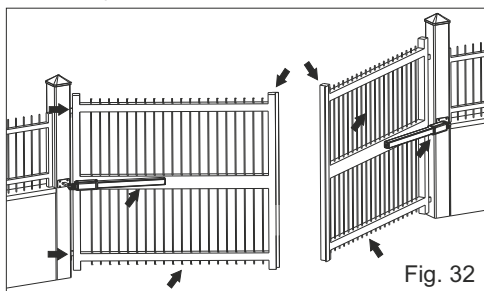
PERIODICAL MAINTENANCE

| | |
|--|----------------|
| 1) Check the robustness and the stability of the gate; particularly the leaning and/or rotation points of the gate (hinges) | Annual |
| 2) Check the oil level in the hydraulic/in oil bath operators (cap on the back cover of the operator) | Annual |
| 3) Replace the hydraulic oil with the oil recommended by the producer | 4 Years |
| 4) Check the function of the release | Annual |
| 5) Check the function of the by-pass valves | Annual |
| 6) Check and grease the fixation pivots | Annual |
| 7) Check the integrity of the connecting cables | Annual |
| 8) Check the function and the conditions of the limit switch stops in opening and closing (where the mechanical stop accessory is present) | Annual |
| 9) Check the good status of all the apparatus which are subject to efforts (back fixation, oscillating fork, and front fixation) | Annual |
| 10) Check the functionality of all the accessories especially the function of all security devices and of the Linear Encoder | Annual |
| 11) Lubricate the rod (see page 19) with SEA grease (GREASE GL 00 Cod.65000009) | Annual |
| After having executed the periodical maintenance it is necessary to repeat the test and to reactivate the automation | |

All the above described operations MUST be made exclusively by an authorized installer

RISK EXAMINATION

The points pointed by arrows in Fig. 32 are potentially dangerous. The installer must take a thorough risk examination to prevent crushing, conveying, cutting, grappling, trapping so as to guarantee a safe installation for people, things and animals. (Re. Laws in force in the country where installation has been made.) As for misunderstandings that may arise refer to your area distributor or call our help desk. These instructions are part of the device and must be kept in a well known place. The installer shall follow the provided instructions thoroughly.



SEA products must only be used to automate doors, gates and wings. Any initiative taken without SEA explicit authorization will preserve the manufacturer from whatsoever responsibility. The installer shall provide warning notices on not assessable further risks. SEA in its relentless aim to improve the products, is allowed to make whatsoever adjustment without giving notice. This doesn't oblige SEA to upgrade the past production. SEA can not be deemed responsible for any damage or accident caused by product breaking, being damages or accidents due to a failure to comply with the instructions herein. The guarantee will be void and the manufacturer responsibility will be nullified if SEA original spare parts are not being used. The

electrical installation shall be carried out by a professional technician who will release documentation as requested by the laws in force. Packaging materials such as plastic bags, foam polystyrene, nails etc must be kept out of children's reach as dangers may arise.

INITIAL TEST AND STARTING OF THE AUTOMATION

After having completed the necessary operations for a correct installation of the product and after having evaluated all the risks which could arise in any installation, **it is necessary to test the automation to guarantee the maximum security and, in particular, to guarantee that the laws in force are fully respected.** The first Start must be executed according to the rule **EN 12445** which establishes the methods of tests for checking the gate automations respecting the limits established by the rule **EN 12453**.

POSITION GATE

For a correct and safe installation it is strongly recommended to install the POSITION GATE (linear encoder) which allows the fulfilment of the force diagram included in the norm EN 12453 and consequently the test and start of the whole installation

TO THE ATTENTION OF THE TECHNICIAN AND THE END-USER

SAFETY PRECAUTIONS: All electrical work should comply with the current regulations. A 16A / 0,030 differential switch must be used. Separate the source cables (operators, power supply) and command cables (photocells, push-buttons, etc). Be sure the entire system is properly earth bonded. Always run cables in separate ducts to prevent interferences.

INTENDED USE: The operator has been designed to be used for the automation of swing gates only.

SPARE PARTS: Send request for spare parts to: **SEA S.p.A. - Teramo - ITALY - www.seateam.com**

SAFETY AND ENVIRONMENTAL COMPATIBILITY: Don't waste product packing materials and/or circuits.

STORAGE: Materials must be properly packaged, handled with care and with appropriate vehicles;

WARRANTY LIMITS - see the sales conditions

MAINTENANCE AND OUT OF SERVICE: The decommission and maintenance must only be carried out by specialised and authorised personnel.

NOTE: THE MANUFACTURER CAN NOT BE DEEMED RESPONSIBLE FOR ANY DAMAGE OR INJURY CAUSED BY IMPROPER USE OF THIS PRODUCT

SEA S.p.A. reserves the right to make any required modification or change to the products and/or to this manual without any advanced notice obligation.

GENERAL NOTICE FOR THE INSTALLER AND THE USER

1. **Read carefully these Instructions** before beginning to install the product. Store these instructions for future reference
2. Don't waste product packaging materials and /or circuits.
3. This product was designed and built strictly for the use indicated in this documentation. Any other use, not expressly indicated here, could compromise the good condition/operation of the product and/or be a source of danger. SEA S.p.A. declines all liability caused by improper use or different use in respect to the intended one.
4. The mechanical parts must be comply with Directives: Machine Regulation 2006/42/CE and following adjustments), Low Tension (2006/95/CE), electromgnetic Consistency (2004/108/CE) Installation must be done respecting Directives: EN12453 and En12445.
5. Do not install the equipment in an explosive atmosphere.
6. SEA S.p.A. is not responsible for failure to observe Good Techniques in the construction of the locking elements to motorize, or for any deformation that may occur during use.
7. Before attempting any job on the system, cut out electrical power and disconnect the batteries. Be sure that the earthing system is perfectly constructed, and connect it metal parts of the lock.
8. Use of the indicator-light is recommended for every system, as well as a warning sign well-fixed to the frame structure.
9. SEA S.p.A. declines all liability as concerns the automated system's security and efficiency, if components used, are not produced by SEAS.p.A..
10. For maintenance, strictly use original parts by SEA.
11. Do not modify in any way the components of the automated system.
12. The installer shall supply all information concerning system's manual functioning in case of emergency, and shall hand over to the user the warnings handbook supplied with the product.
13. Do not allow children or adults to stay near the product while it is operating. The application cannot be used by children, by people with reduced physical, mental or sensorial capacity, or by people without experience or necessary training. Keep remote controls or other pulse generators away from children, to prevent involuntary activation of the system.
14. Transit through the leaves is allowed only when the gate is fully open.
15. The User must not attempt to repair or to take direct action on the system and must solely contact qualified SEA personnel or SEA service centers. User can apply only the manual function of emergency.
16. The power cables maximum length between the central engine and motors should not be greater than 10 m. Use cables with 2,5 mm² section. Use double insulation cable (cable sheath) to the immediate vicinity of the terminals, in particular for the 230V cable. Keep an adequate distance (at least 2.5 mm in air), between the conductors in low voltage (230V) and the conductors in low voltage safety (SELV) or use an appropriate sheath that provides extra insulation having a thickness of 1 mm

TERMS OF SALES

EFFICACY OF THE FOLLOWING TERMS OF SALE: the following general terms of sale shall be applied to all orders sent to SEA S.p.A. All sales made by SEA to all costumers are made under the prescription of this terms of sales which are integral part of sale contract and cancel and substitute all apposed clauses or specific negotiations present in order document received from the buyer.

GENERAL NOTICE The systems must be assembled exclusively with SEA components, unless specific agreements apply. Non-compliance with the applicable safety standards (European Standards EM12453 – EM 12445) and with good installation practice releases SEA from any responsibilities. SEA shall not be held responsible for any failure to execute a correct and safe installation under the above mentioned standards.

1) PROPOSED ORDER The proposed order shall be accepted only prior SEA approval of it. By signing the proposed order, the Buyer shall be bound to enter a purchase agreement, according to the specifications stated in the proposed order.

On the other hand, failure to notify the Buyer of said approval must not be construed as automatic acceptance on the part of SEA.

2) PERIOD OF THE OFFER The offer proposed by SEA or by its branch sales department shall be valid for 30 solar days, unless otherwise notified.

3) PRICING The prices in the proposed order are quoted from the Price List which is valid on the date the order was issued. The discounts granted by the branch sales department of SEA shall apply only prior to acceptance on the part of SEA. The prices are for merchandise delivered ex-works from the SEA establishment in Teramo, not including VAT and special packaging. SEA reserves the right to change at any time this price list, providing timely notice to the sales network. The special sales conditions with extra discount on quantity basis (Qx, Qx1, Qx2, Qx3 formula) is reserved to official distributors under SEA management written agreement.

4) PAYMENTS The accepted forms of payment are each time notified or approved by SEA. The interest rate on delay in payment shall be 1.5% every month but anyway shall not be higher than the max. interest rate legally permitted.

5) DELIVERY Delivery shall take place, approximately and not peremptorily, within 30 working days from the date of receipt of the order, unless otherwise notified. Transport of the goods sold shall be at Buyer's cost and risk. SEA shall not bear the costs of delivery giving the goods to the carrier, as chosen either by SEA or by the Buyer. Any loss and/or damage of the goods during transport, are at Buyer's cost.

6) COMPLAINTS Any complaints and/or claims shall be sent to SEA within 8 solar days from receipt of the goods, proved by adequate supporting documents as to their truthfulness.

7) SUPPLY The concerning order will be accepted by SEA without any engagement and subordinately to the possibility to get it's supplies of raw material which is necessary for the production; Eventual completely or partially unsuccessful executions cannot be reason for complains or reservations for damage. SEA supply is strictly limited to the goods of its manufacturing, not including assembly, installation and testing. SEA, therefore, disclaims any responsibility for damage deriving, also to third parties, from non-compliance of safety standards and good practice during installation and use of the purchased products.

8) WARRANTY The standard warranty period is 12 months. This warranty time can be extended by means of expedition of the warranty coupon as follows:

SILVER: The mechanical components of the operators belonging to this line are guaranteed for 24 months from the date of manufacturing written on the operator.

GOLD: The mechanical components of the operators belonging to this line are guaranteed for 36 months from the date of manufacturing written on the operator.

PLATINUM: The mechanical components of the operators belonging to this line are guaranteed for 36 months from the date of manufacturing written on the operator. The base warranty (36 months) will be extended for further 24 months (up to a total of 60 months) when it is acquired the certificate of warranty which will be filled in and sent to SEA S.p.A. The electronic devices and the systems of command are guaranteed for 24 months from the date of manufacturing. In case of defective product, SEA undertakes to replace free of charge or to repair the goods provided that they are returned to SEA repair centre. The definition of warranty status is by unquestionable assessment of SEA. The replaced parts shall remain propriety of SEA. Binding upon the parties, the material held in warranty by the Buyer, must be sent back to SEA repair centre with fees prepaid, and shall be dispatched by SEA with carriage forward. The warranty shall not cover any required labour activities.

The recognized defects, whatever their nature, shall not produce any responsibility and/or damage claim on the part of the Buyer against SEA. The guarantee is in no case recognized if changes are made to the goods, or in the case of improper use, or in the case of tampering or improper assembly, or if the label affixed by the manufacturer has been removed including the SEA registered trademark No. 804888. Furthermore, the warranty shall not apply if SEA products are partly or completely coupled with non-original mechanical and/or electronic components, and in particular, without a specific relevant authorization, and if the Buyer is not making regular payments. The warranty shall not cover damage caused by transport, expendable material, faults due to non-conformity with performance specifications of the products shown in the price list. No indemnification is granted during repairing and/or replacing of the goods in warranty. SEA disclaims any responsibility for damage to objects and persons deriving from non-compliance with safety standards, installation instructions or use of sold goods. The repair of products under warranty and out of warranty is subject to compliance with the procedures notified by SEA.

9) RESERVED DOMAIN A clause of reserved domain applies to the sold goods; SEA shall decide autonomously whether to make use of it or not, whereby the Buyer purchases propriety of the goods only after full payment of the latter.

10) COMPETENT COURT OF LAW In case of disputes arising from the application of the agreement, the competent court of law is the tribunal of Teramo. SEA reserves the faculty to make technical changes to improve its own products, which are not in this price list at any moment and without notice. SEA declines any responsibility due to possible mistakes contained inside the present price list caused by printing and/or copying. The present price list cancels and substitutes the previous ones. The Buyer, according to the law No. 196/2003 (privacy code) consents to put his personal data, deriving from the present contract, in SEA archives and electronic files, and he also gives his consent to their treatment for commercial and administrative purposes.

Industrial ownership rights: once the Buyer has recognized that SEA has the exclusive legal ownership of the registered SEA brand num.804888 affixed on product labels and / or on manuals and / or on any other documentation, he will commit himself to use it in a way which does not reduce the value of these rights, he won't also remove, replace or modify brands or any other particularity from the products. Any kind of replication or use of SEA brand is forbidden as well as of any particularity on the products, unless preventive and expressed authorization by SEA.

In accomplishment with art. 1341 of the Italian Civil Law it will be approved expressly clauses under numbers:

4) PAYMENTS - 8) GUARANTEE - 10) COMPETENT COURT OF LAW

Dichiarazione di conformità
Declaration of Conformity

La SEA S.p.A. dichiara sotto la propria responsabilità e, se applicabile, del suo rappresentante autorizzato che, con l'installazione degli adeguati dispositivi di sicurezza e di filtraggio disturbi, i prodotti:
SEA S.p.A. declares under its proper responsibility and, if applicable, under the responsibility of its authorised representative that, by installing the appropriate safety equipment and noise filtering, the products:

| Descrizione / Description | Modello / Model | Marca / Trademark |
|--|------------------------|--------------------------|
| FULL TANK 270 AC (e tutti i suoi derivati / <i>and all its by-products</i>) | 10601005 | SEA |
| FULL TANK 390 AC (e tutti i suoi derivati / <i>and all its by-products</i>) | 10701010 | SEA |

sono costruiti per essere incorporati in una macchina o per essere assemblati con altri macchinari per costruire una macchina ai sensi della Direttiva 2006/42/CE
are built to be integrated into a machine or to be assembled with other machinery to create a machine under the provisions of Directive 2006/42/CE

sono conformi ai requisiti essenziali di sicurezza relativi ai prodotti entro il campo di applicabilità delle Direttive Comunitarie 2014/35/UE e 2014/30/UE
are conforming to the essential safety requirements related to the products within the field of applicability of the Community Directives 2014/35/UE and 2014/30/UE

COSTRUTTORE o RAPPRESENTANTE AUTORIZZATO:
MANUFACTURER or AUTHORISED REPRESENTATIVE:

SEA S.p.A.
DIREZIONE E STABILIMENTO:
Zona industriale 64020 S.ATTO Teramo - (ITALY)
Tel. +39 0861 588341 r.a. Fax +39 0861 588344
[Http://www.seateam.com](http://www.seateam.com)

Luogo, data di emissione
Place, date of issue
Teramo, 11/10/2018

L'Amministratore
The Administrator
Ennio Di Saverio




Automatic Gate Openers

Questo articolo è stato prodotto seguendo rigide procedure di lavorazione ed è stato testato singolarmente al fine di garantire i più alti livelli qualitativi e la vostra soddisfazione. Vi ringraziamo per aver scelto SEA.

This item has been produced following strict production procedures and has been singularly tested for the highest quality levels and for your complete satisfaction.
Thanks for choosing SEA.

Cet article a été produit suivant des procédures d'usinage strictes et il a singulièrement été testé afin de garantir les plus hauts niveaux de qualité pour votre satisfaction.
Nous vous remercions d'avoir choisi SEA.

Este artículo ha sido producido siguiendo rigidos procedimientos de elaboración y ha sido probando singolarmente a fin de garantizar los mas altos niveles de calidad y vuestra satisfaccion.
Le agradecemos por haber escogito SEA.

CERTIFICATO DI ESTENSIONE GARANZIA

CERTIFICATE OF WARRANTY EXTENTION

n. _____

PRODOTTO/ PRODUCT

- Modello/*Model* _____
- Matricola n. /*Serial Number* _____
- Data di acquisto/*Date of order* _____
- Data di installazione/*Date of installation* _____

| | | | |
|--|------------------------------|----------------------|--------------------------|
| Centrale/ <i>Control unit</i> | SEA <input type="checkbox"/> | Altri/ <i>Others</i> | <input type="checkbox"/> |
| Fotocelle/ <i>Photocells</i> | SEA <input type="checkbox"/> | Altri/ <i>Others</i> | <input type="checkbox"/> |
| RX - TX | SEA <input type="checkbox"/> | Altri/ <i>Others</i> | <input type="checkbox"/> |
| Altri accessori / <i>Other accessories</i> | SEA <input type="checkbox"/> | Altri/ <i>Others</i> | <input type="checkbox"/> |

UTENTE/*Customer*

Nome e Cognome _____
First Name and Family Name _____
Indirizzo/*Address* _____

INSTALLATORE/*Installer*

Ragione sociale/*Company Name* _____
Nome e Cognome/*First and Family Name* _____
Indirizzo/*Address* _____

INSTALLATORE/INSTALLER

Firma per il trattamento dei dati personali ai sensi del Regolamento UE 679/2016
Agreement to the GDPR EU Regulation No. 679/2016

Copia da restituire
Copy to be returned

Firma e Timbro
Sign and Stamp _____

N.B: L'estensione della garanzia legale di 12 mesi a 24 mesi e 36 mesi è valida solo se il presente modulo viene rispedito per posta o fax a SEA S.p.A. entro 15gg dalla data di acquisto. Allegare relativa fattura d'acquisto.

Note: The extension of the legal standard warranty of 12 months to 24 months and to 36 months, is valid only if the present form is returned by mail or fax to SEA S.p.A within 15days from the date of purchase. Attach customer invoice.



SEA[®]
Sistemi Elettronici
di Apertura Porte e Cancelli
International registered trademark n. 804888

SEA S.p.A. - Zona Industriale San Atto- 64020 Teramo (Italy)
Phone +39 0861 588341- Fax +39 0861588344
www.seateam.com - info@seateam.com



Automatic Gate Openers

International registered trademark n. 804888

SEA S.p.A.

Zona industriale 64020 S.ATTO Teramo - (ITALY)

Tel. +39 0861 588341 r.a. Fax +39 0861 588344

www.seateam.com

seacom@seateam.com