



Automatic Gate Openers

International registered trademark n. 804888



Italiano

English

Français

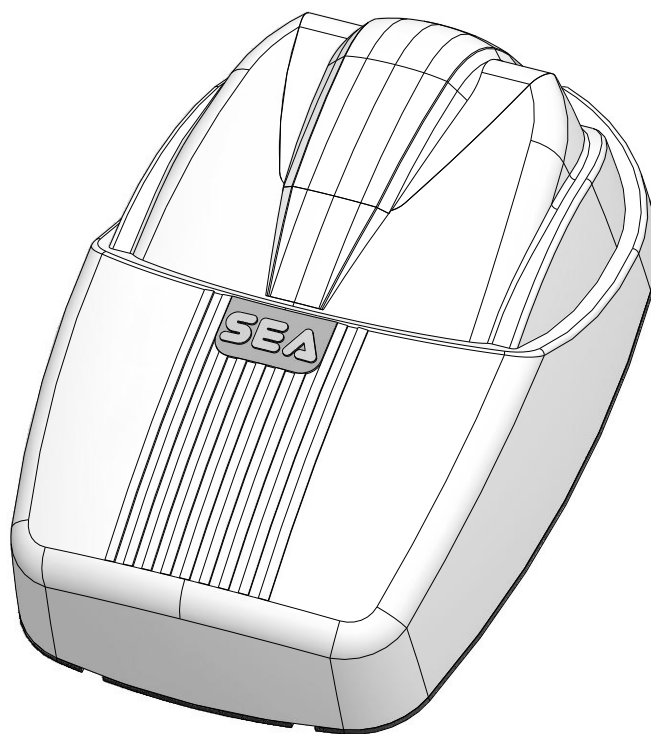
Español

Deutsch

CORONA S

CORONA RPI

Operatori per porte da garage
Operators for garage doors
Opérateurs pour portes de garage
Operadores para puertas seccionales y basculantes
Garagentorantrieb



MANUALE D'INSTALLAZIONE
ed informazioni sulla sicurezza

INSTALLATION MANUAL
and Security Information

SEA S.p.A.
Zona industriale 64020 S. ATTO Teramo - (ITALY)
Tel. +39 0861 588341 r.a. Fax +39 0861 588344
www.seateam.com
seacom@seateam.com



FITTING AND CONNECTION INSTRUCTIONS

ENGLISH

Corona S and **Corona RPI** are ceiling actuators **easy to install** and noiseless thanks to the **slowdown** in the last phases of opening and closing.

Corona S is a non quick grafting operator with aluminium guide.

Corona RPI is a quick grafting operator with steel guide.

It is provided with an electronic speed control which allows the mechanical parts subjected to stress to be saved.

The anticrushing safety is assured by an electronic system which, set during installation, stops the door in opening and reverses during closing phase.

CORONA S and **CORONA RPI irreversibility** avoids the use of electro-locks while guaranteeing maximum security during forcing attempts.

A **Manual Release** ensures door operation also in case of power failure.

DIMENSIONS (mm)

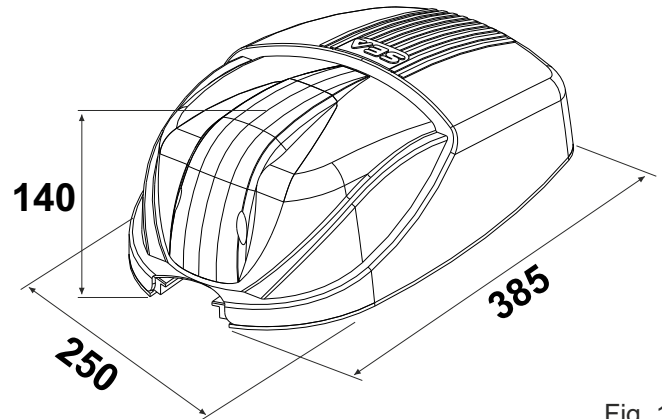


Fig. 1

OPERATORS FOR SECTIONAL GARAGE DOORS

MAX. DOOR DIMENSIONS

Up To 2,4 H x 3,5 L m	CORONA 60
Up To 2,4 H x 5 L m	CORONA 110
Up To 4 H x 6 L m	CORONA 150

OPERATORS FOR BALANCED OVERHEAD DOORS WITH SPRINGS

MAX. DOOR DIMENSIONS

Up To 2,3 H x 3 L m	CORONA 60
Up To 2,3 H x 4 L m	CORONA 110
Up To 4 H x 6 L m	CORONA 150

OPERATORS FOR COUNTERBALANCED OVERHEAD DOORS

MAX. DOOR DIMENSIONS

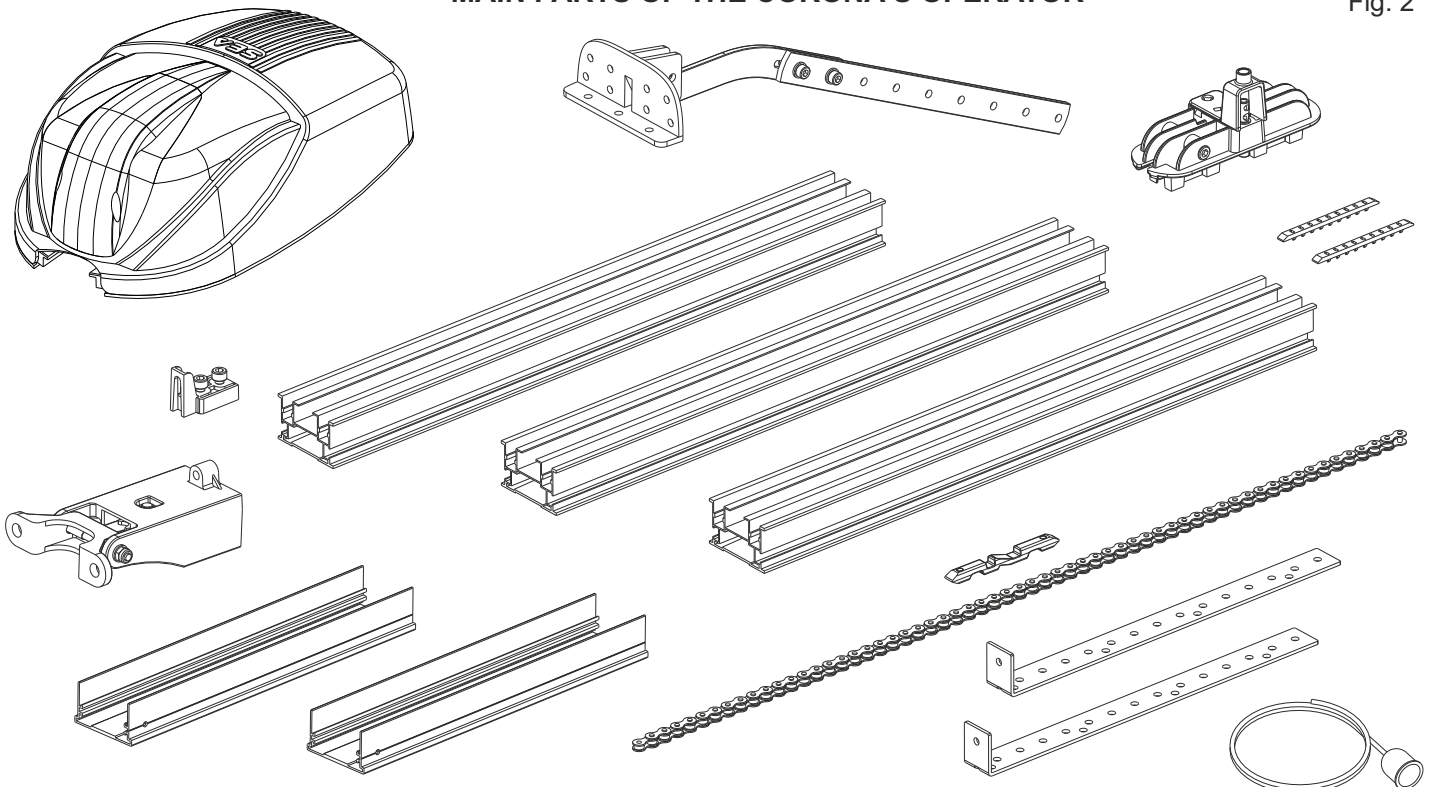
Up To 2,7 H x 3 L m	CORONA 60
Up To 2,7 H x 4 L m	CORONA 110
Up To 4 H x 6 L m	CORONA 150

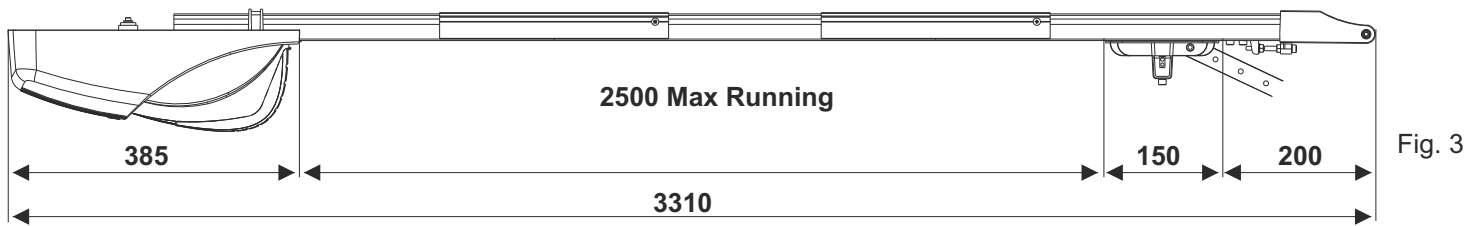
TECHNICAL DATA	CORONA 60	CORONA 110	CORONA 150	CORONA 60	CORONA 110
Power Supply	230 V (±5%) 50/60 H		110 V (±5%) 50/60 H		
Motor Supply	24 V ---				
Power	140 W	370W	450W	140 W	370W
Opening Speed	adjustable				
Frequency of use	60%	40%	40%	60%	40%
Operating temperature	-20°C / + 60°C				
Weight	13 Kg	14 Kg	16 Kg	13 Kg	14 Kg
Max Pushing (N)	600	1100	1500	600	1100
Max Traction (N)	600	1100	1500	600	1100
Protection degree	IP 20				
Anticrushing clutch	electronic				
Limit switch	Micro switch				

Note: The frequency of use is valid only for the first hour at an outside temperature of 20°C.

MAIN PARTS OF THE CORONA S OPERATOR

Fig. 2

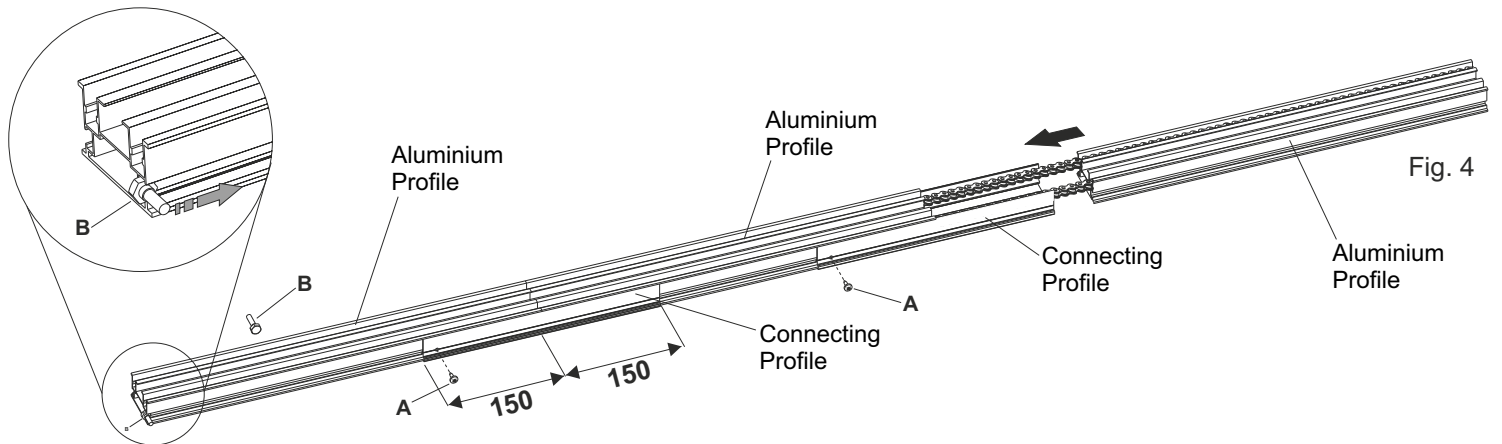




Before installing, make sure that the door is perfectly working and that the guide is free of obstacles.

1. CORONA S INSTALLATION

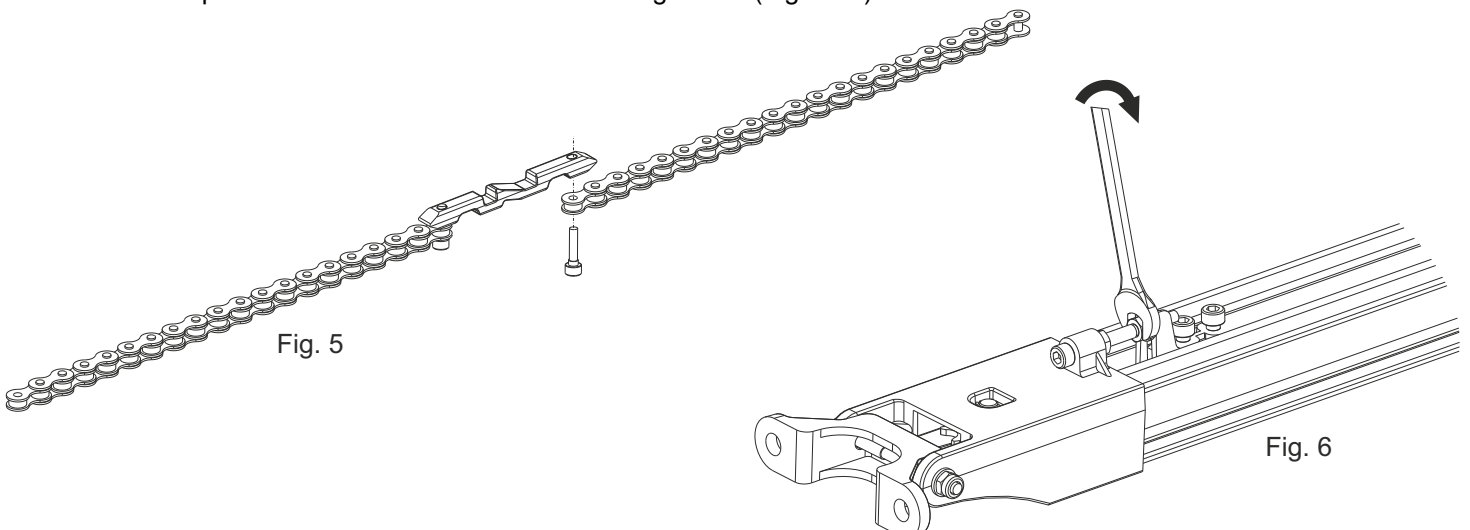
- Connect the aluminium profiles using the two connecting profiles.
- Insert the connecting profile into the aluminium profile for half its length (150 mm) and fix it with the **A** screw. (Fig. 4)
- Repeat for the other two aluminium profiles.
- Insert the two supplied screws (**B**) into the holes of the aluminium profiles (Fig. 4)



Note: In Fig.4 a pair of screws are inserted into the loopholes which will be used for fixing the Corona S operator to the ceiling with the special brackets (See also Fig. 7).

- Connect the two ends of the chain using the connecting link and the two provided screws (Fig. 5).
- Make sure that the chain has been correctly mounted on the pinion of the Corona S body (Fig. 7 - A).
- Place the guide on the stop of the Corona S body and fix it with the special bracket (Fig. 7 - B).
- Mount the front fixation support on the other end of the guide (Fig. 7 - C)
- Slightly tighten the chain with a 10 key (Fig.6)

IMPORTANT: Keep well lubricated the chain and the sliding device (Fig. 7 - D).



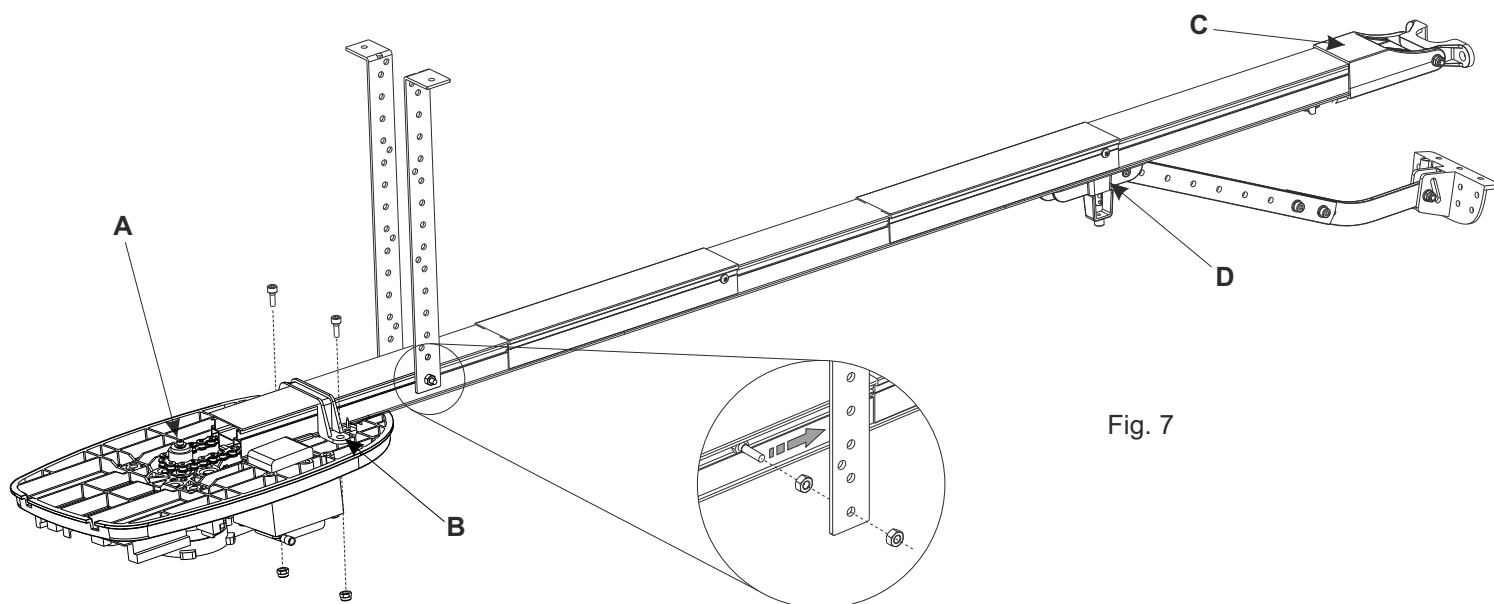


Fig. 7

2. CORONA S FIXING

- First of all fix the front part of the Corona S making sure that it's placed at the centre of the door;

- Fix the anchor bracket to the door frame or if necessary on the wall using rivets or bolts (Fig. 8);

- Lift the Corona S and fix it to the ceiling with the special brackets keeping a maximum distance of 400 mm from the ceiling and making sure that the operator is in a perfectly horizontal position (Fig. 9);

- Release the Corona S operator and drag the drawing rod towards the door, then fix it to the door.

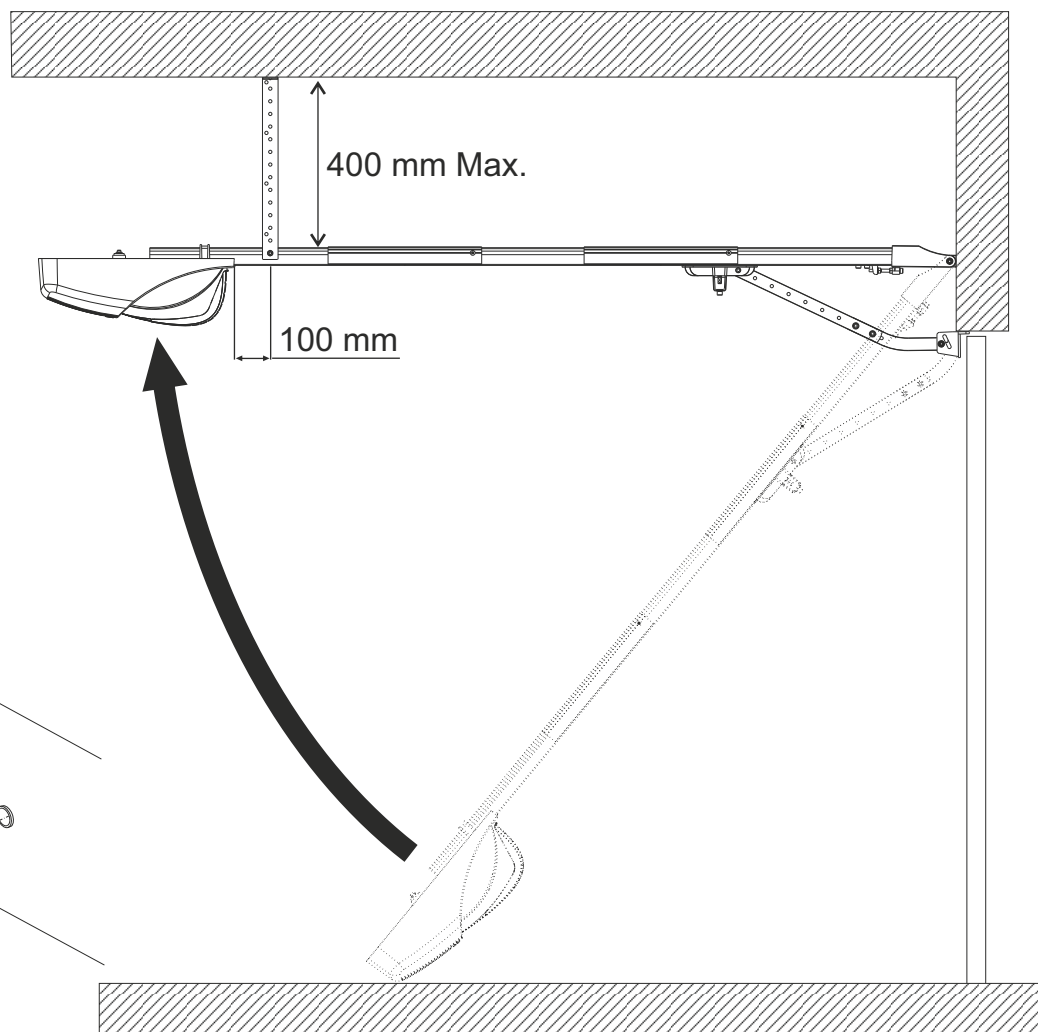


Fig. 9

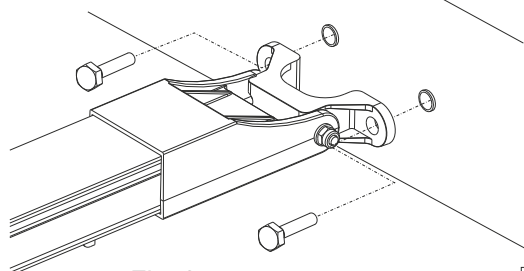
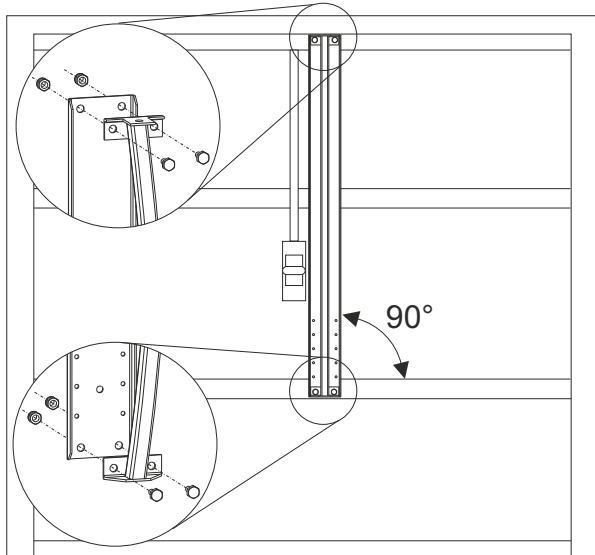


Fig. 8



3. INSTALLATION KIT FOR GARAGE DOORS

OPERATORS FOR BALANCED OVERHEAD DOORS WITH SPRINGS		OPERATORS FOR COUNTERBALANCED OVERHEAD DOORS	
MAX DOOR DIMENSIONS	up to 2,3 H x 3 L m	CORONA 60	up to 2,7 H x 3 L m
	up to 2,3 H x 4 L m	CORONA 110	up to 2,7 H x 4 L m
		CORONA 60	CORONA 110



We recommend to use additional brackets (optional)

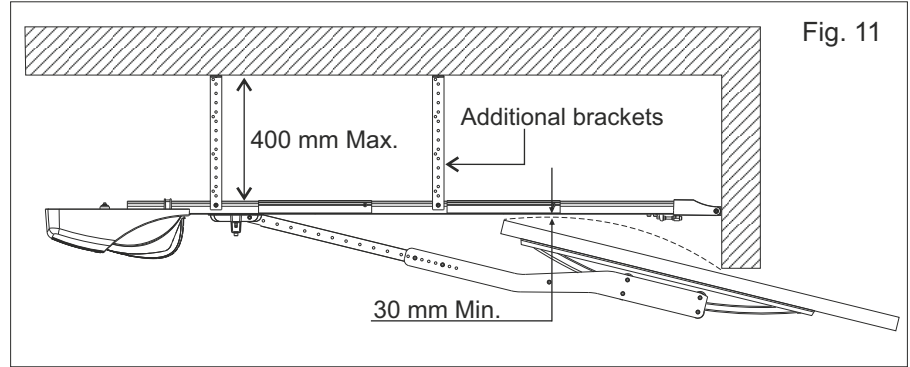


Fig. 10

Fig. 11

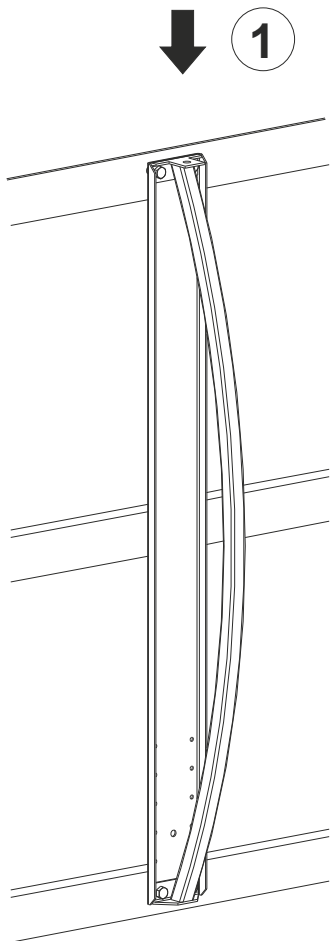


Fig. 12

2

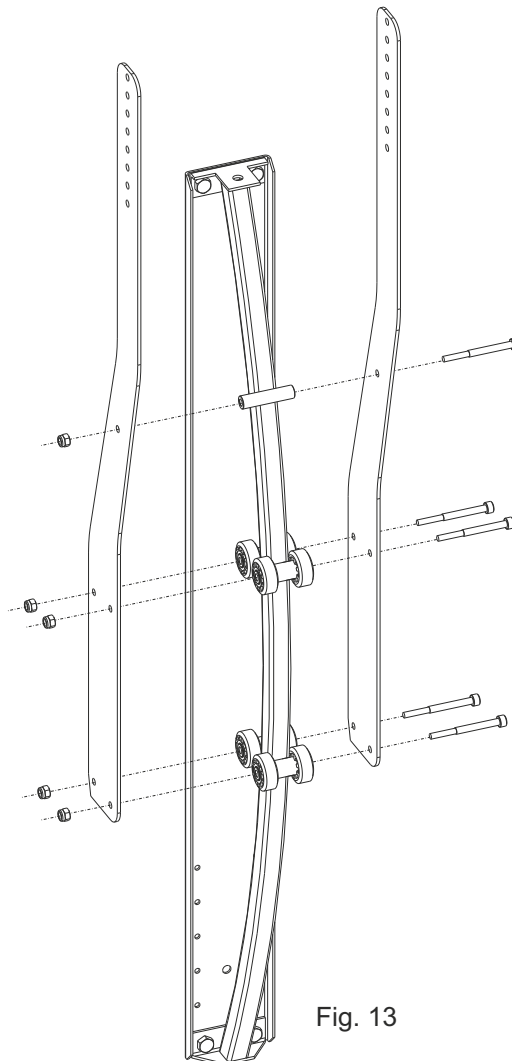


Fig. 13

3

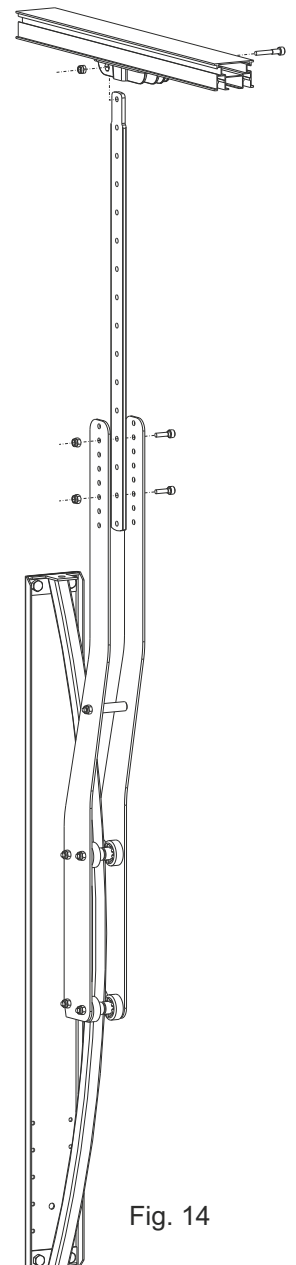


Fig. 14

To adjust the door closing as precise as possible, release the bolts on the curved rod and adjust the run on the two holes (Fig. 15)

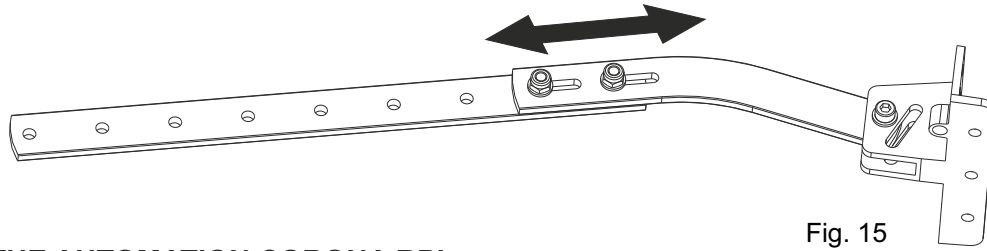
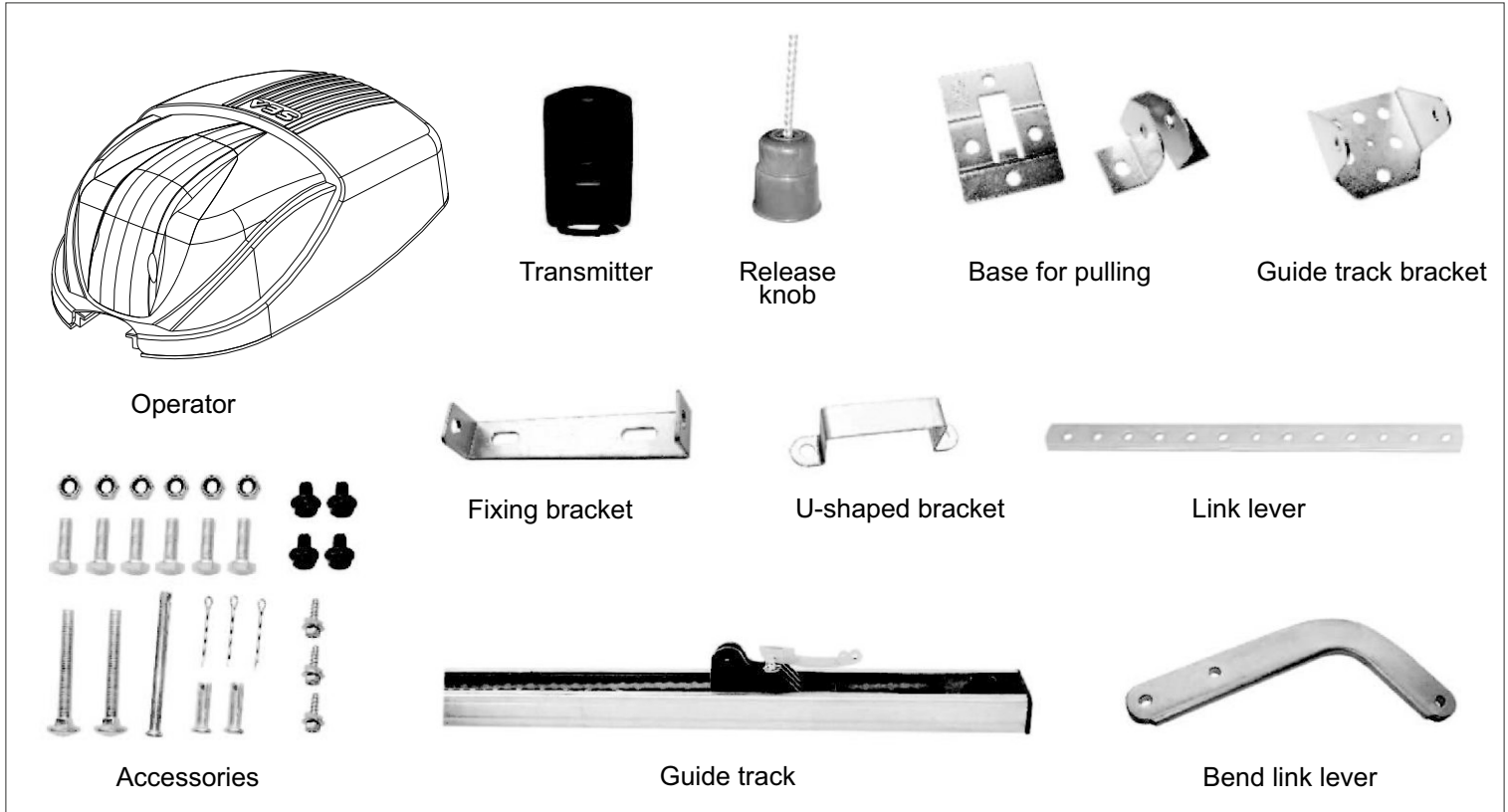


Fig. 15

MAIN PARTS OF THE AUTOMATION CORONA RPI



On request one 4m piece guide

CONNECTION OF THE OPERATOR CORONA RPI WITH THE GUIDE TRACK

Before installing the operator remove all unnecessary ropes or chain and disable any equipment, such as locks, not needed for powdered operation.

Before installing the operator, check that the door is in good mechanical condition correctly balanced and opens and closes properly.

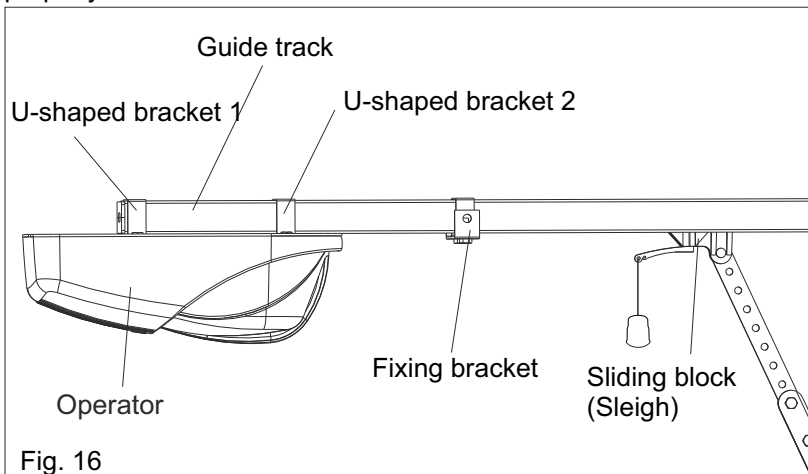


Fig. 16

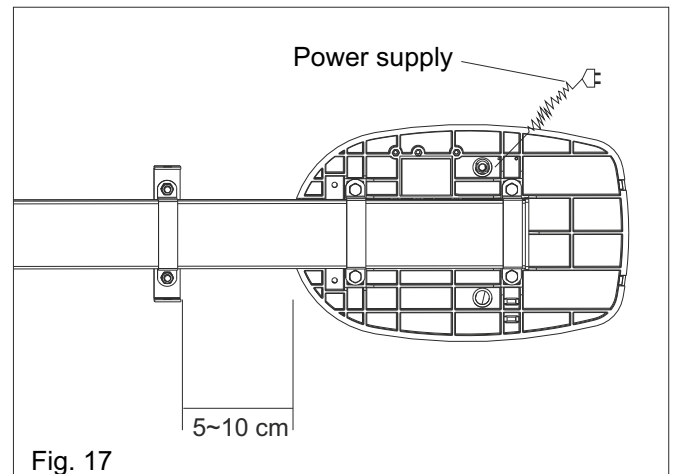


Fig. 17

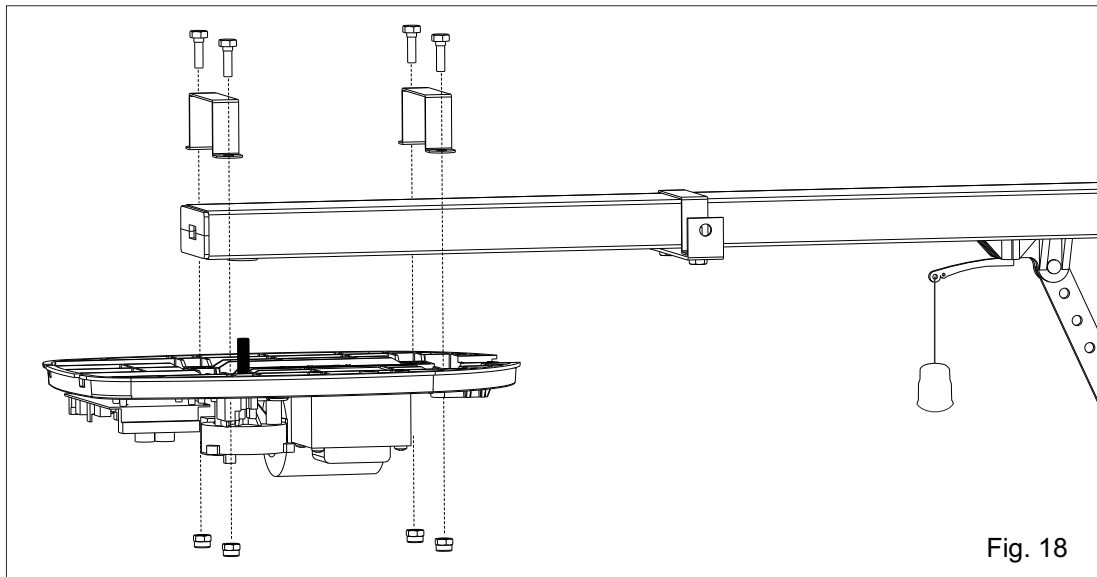


Fig. 18

5. INSTALLATION OF THE GUIDE ON THE WALL AND ON THE CEILING FOR CORONA RPI

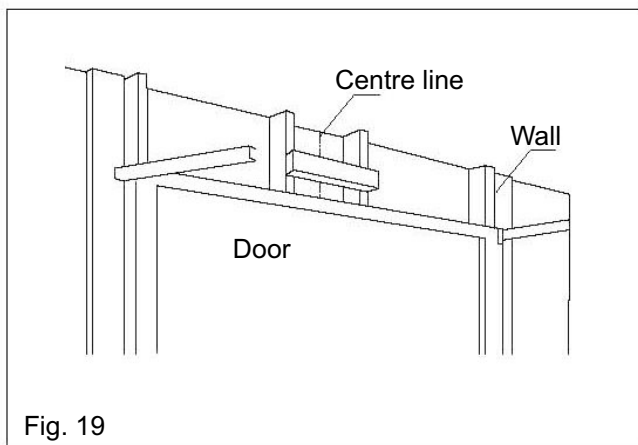


Fig. 19

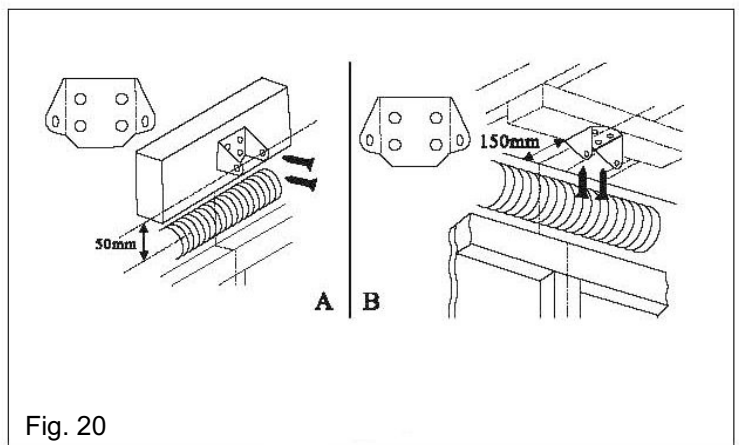


Fig. 20

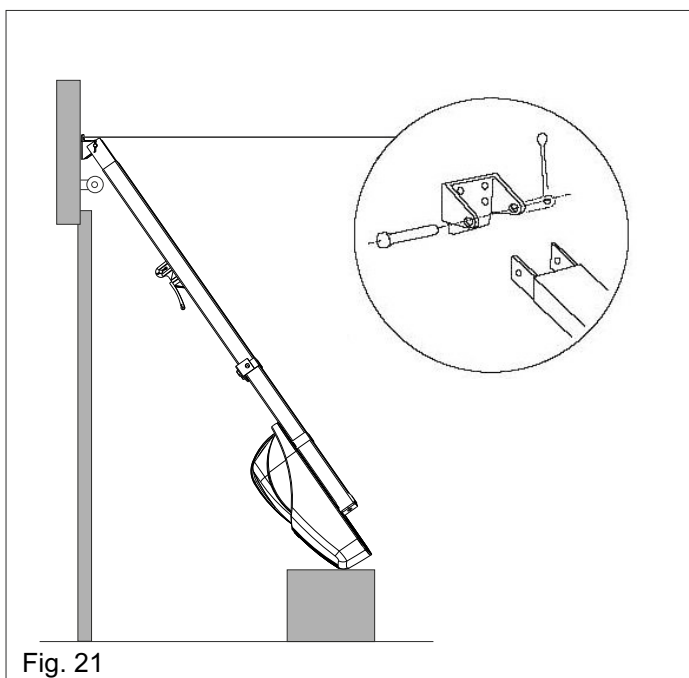


Fig. 21

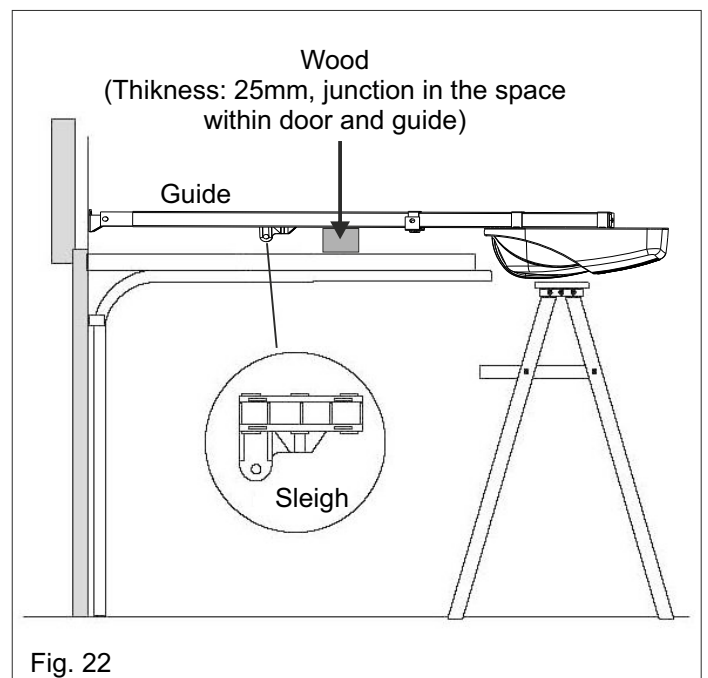
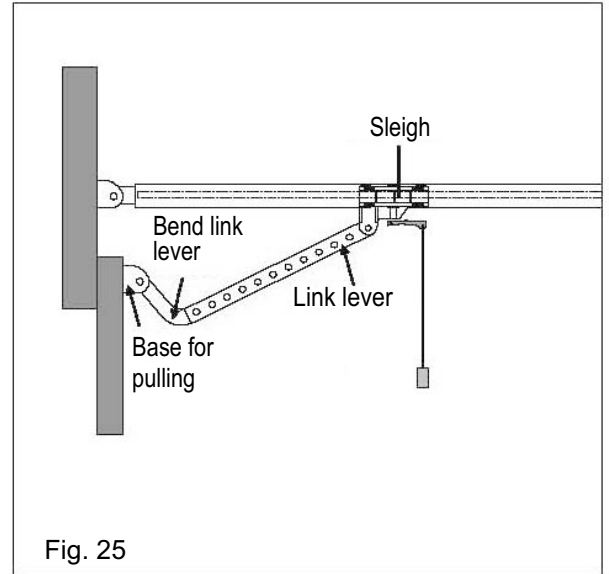
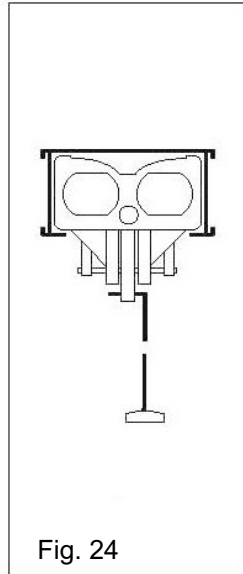
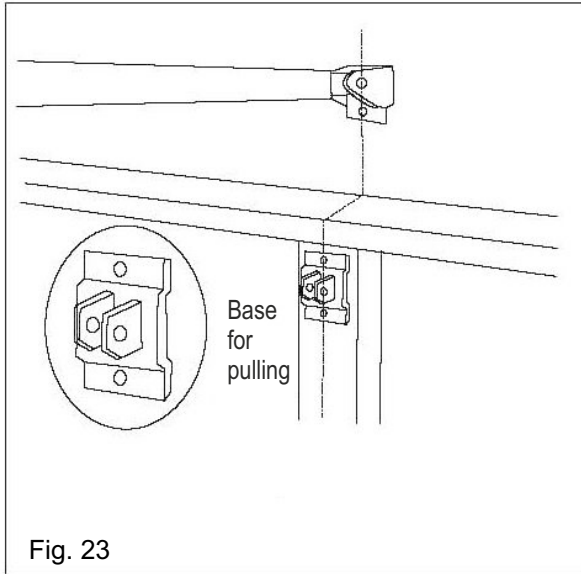


Fig. 22

After having fixed the operator to the hanging firmware, remove the wood.



6. CONNECTION OF THE DOOR WITH THE SLIDING BLOCK (SLEIGH) FOR CORONA RPI



1. Close the door and fix the base for pulling at the center on the top of the door (Fig. 23).
2. Release the sleigh (Fig. 24).
Place the sliding block (sleigh) near the door. Connect the base for pulling, the bend link lever, the link lever and the sleigh (Fig. 25).

- Install the the manual release at a height of max. 1.8m
- The warning boards against entrapment should be permanently fixed in a known place or near any fixed control.
- The notice concerning the manual release should be permanently fixed next to said release.

After installation, make sure that the mechanism is properly adjusted and that the drive reverses when the door touches a 50 mm high object placed on the floor.

7. ELECTRONIC CONTROL UNIT

For accessing the electronic unit and execute all desired settings, unscrew the two fixing screws (Fig. 26) and open the case as shown in Fig. 27.

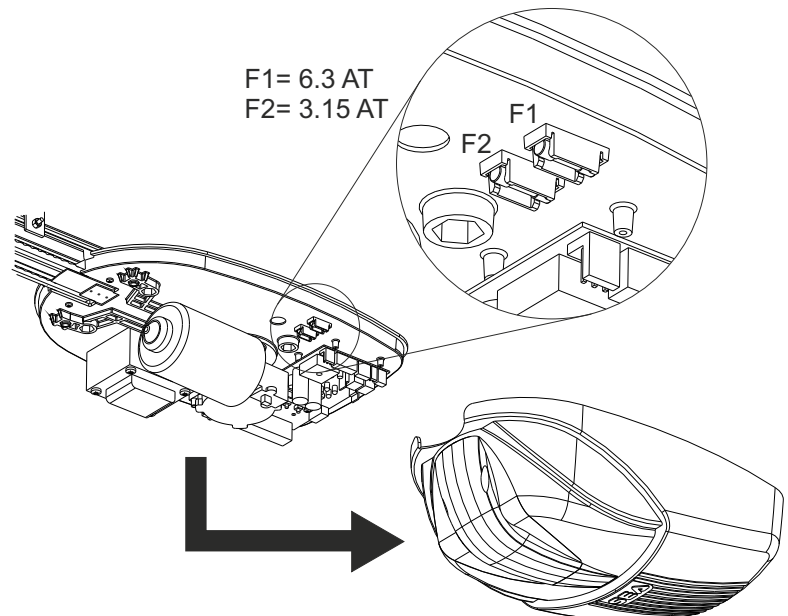
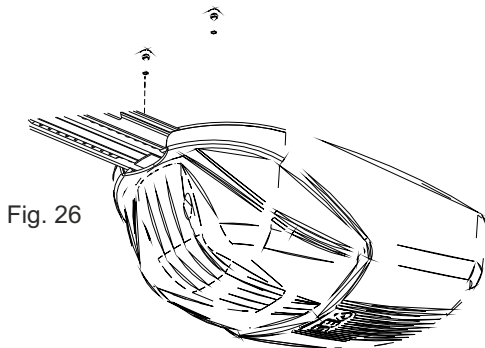


Fig. 27



8. TYPICAL INSTALLATION

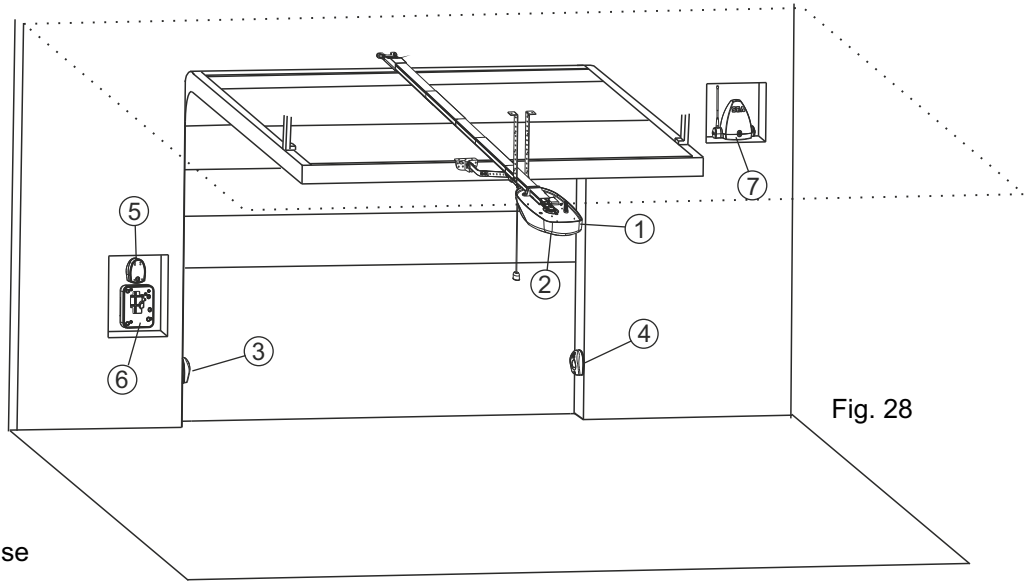


Fig. 28

- 1) CORONA S-CORONA RPI operator
- 2) On board receiver
- 3) Left photocell
- 4) Right photocell
- 5) Start-Stop button
- 6) Safety box for external release
- 7) Warning lamp

9. PERIODICAL MAINTENANCE

Verify the smooth sliding of the chain	Semestral
Verify the tightening of the chain	Semestral
Verify the stability of the ceiling and door junctions	Semestral
Verify the door is in a good state and that the slides are not dirty	Annual
Verify the tension of the steel cable of the external release	Annual
Verify the general condition of the operator (transformer, motor, electronic control unit)	Annual
Keep the chain and the sliding support lubricated	Semestral

All the above described operations must be made exclusively by an authorized installer.

NOTICE

SEA can not be deemed responsible for any damage or accident caused by product breaking, being damages or accidents due to a failure to comply with the instructions herein. The guarantee will be void and the manufacturer responsibility (according to Machine Law) will be nullified if SEA original spare parts are not being used.

The electrical installation shall be carried out by a professional technician who will release documentation as requested by the laws in force.

Packaging materials such as plastic bags, foam polystyrene, nails etc must be kept out of children's reach as dangers may arise.

SAFETY PRECAUTIONS:

All electrical work should conform to current regulations. A 16 A 0,030 A differential switch must be incorporated into the source of the operators main electrical supply and the entire system properly earth bonded. Always run mains carrying cables in separate ducts to low voltage control cables to prevent mains interference.

INTENDED USE:

The CORONA S-CORONARP operator has been designed to be solely used for the automation of sectional doors and balancing doors.

SPARE PARTS:

To obtain spare parts contact: **SEA S.p.A. -Zona Ind.le, 64020 S. ATTO Teramo Italia**

SAFETY AND ENVIRONMENTAL COMPATIBILITY:

Don't waste product packing materials and/or circuits.

When being transported this product must be properly packaged and handled with care.

CORRECT DISPOSAL OF THIS PRODUCT (WASTE ELECTRICAL & ELECTRONIC EQUIPMENT) - EUROPE ONLY



(Applicable in the European Union and other European countries with separate collection systems)

This marking shown on the product or its literature, indicates that it should not be disposed with other household wastes at the end of its working life. To prevent possible harm to the environment or human health from uncontrolled waste disposal, please separate this from other types of wastes and recycle it responsibly to promote the sustainable reuse of material resources.

Household users should contact either the retailer where they purchased this product, or their local government office, for details of where and how they can take this item for environmentally safe recycling.

LIMIT OF GUARANTEE

For the guarantee see the sales conditions on the official SEA price list.

MAINTENANCE AND OUT OF SERVICE:

The decommission and maintenance of this unit must only be carried out by specialised and authorised personnel.

NOTE: THE MANUFACTURER CAN NOT BE DEEMED RESPONSIBLE FOR ANY DAMAGE OR INJURY CAUSED BY IMPROPER USE OF THIS PRODUCT.

SEA reserves the right to do changes or variations that may be necessary to its products with no obligation to notice.



To the attention of users and technicians

10. STRING RELEASE SYSTEM FOR CORONA S AND CORONA RPI

To release the operator, work as follows:

- Pull the release knob and open the door manually (Fig. 29).

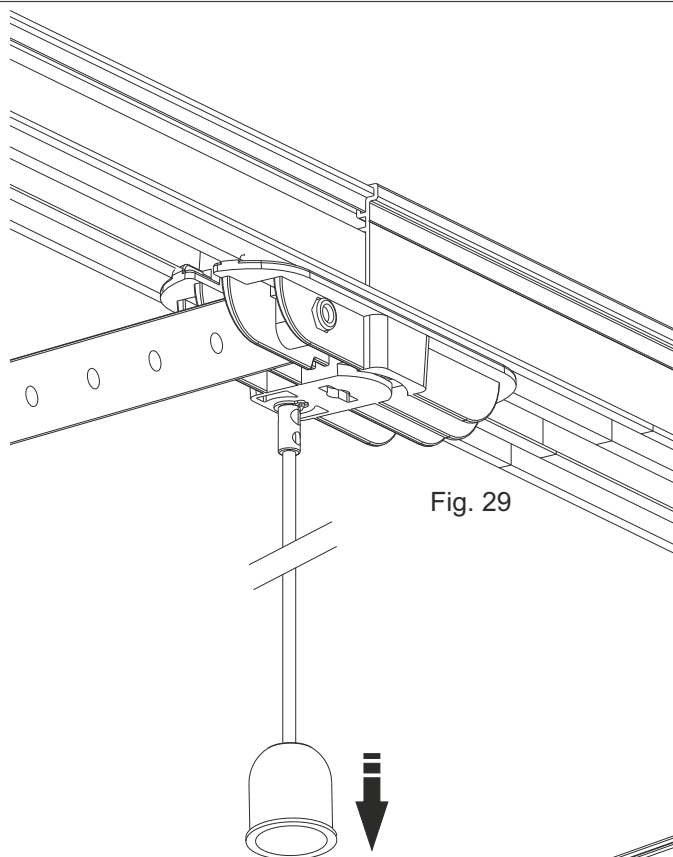


Fig. 29

11. HANDLE RELEASE SYSTEM FOR CORONA S

To release the operator, work as follows:

- Turn the knob and open the door manually (Fig. 30)

Notice: This release system allows the external releasing of the door

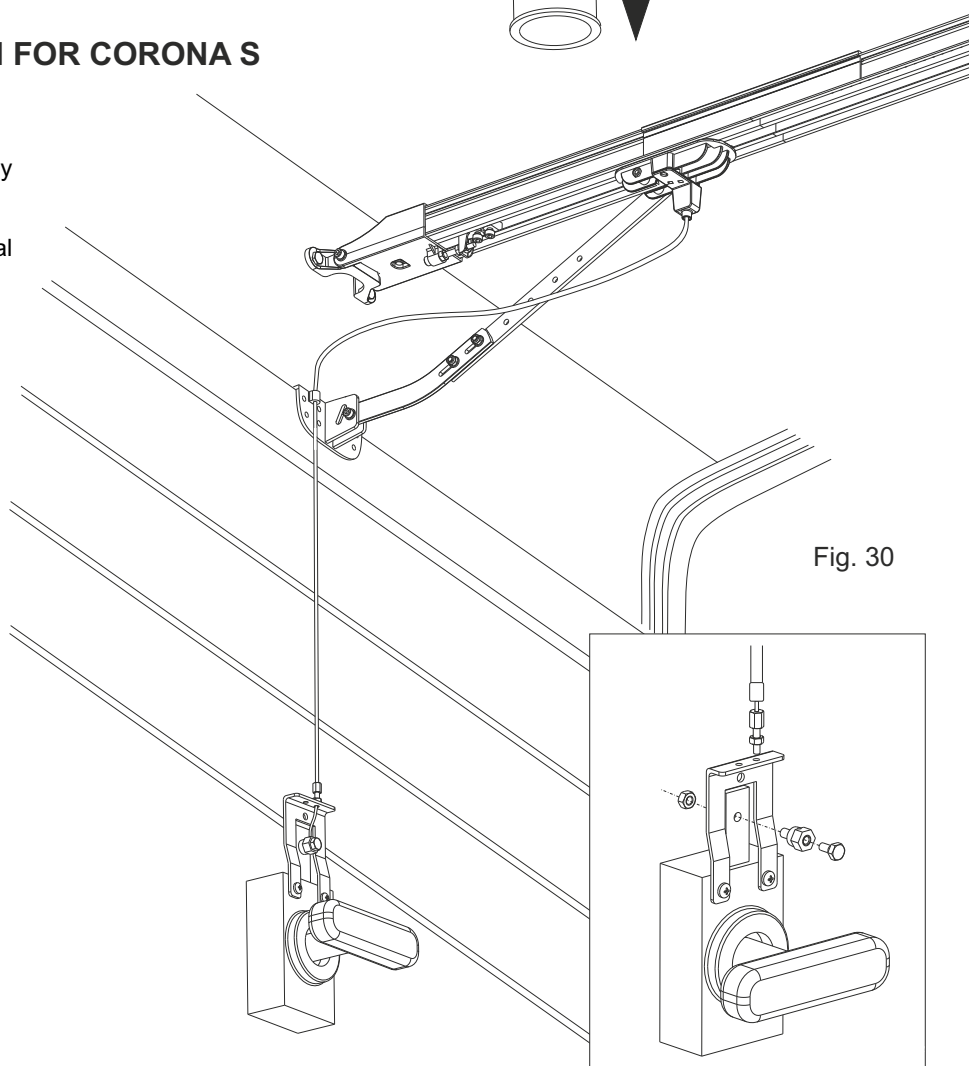


Fig. 30

TERMS OF SALES

EFFICACY OF THE FOLLOWING TERMS OF SALE: the following general terms of sale shall be applied to all orders sent to SEA S.p.A. All sales made by SEA to all costumers are made under the prescription of this terms of sales which are integral part of sale contract and cancel and substitute all apposed clauses or specific negotiations present in order document received from the buyer.

GENERAL NOTICE The systems must be assembled exclusively with SEA components, unless specific agreements apply. Non-compliance with the applicable safety standards (European Standards EM12453 – EM 12445) and with good installation practice releases SEA from any responsibilities. SEA shall not be held responsible for any failure to execute a correct and safe installation under the above mentioned standards.

1) PROPOSED ORDER The proposed order shall be accepted only prior SEA approval of it. By signing the proposed order, the Buyer shall be bound to enter a purchase agreement, according to the specifications stated in the proposed order.

On the other hand, failure to notify the Buyer of said approval must not be construed as automatic acceptance on the part of SEA.

2) PERIOD OF THE OFFER The offer proposed by SEA or by its branch sales department shall be valid for 30 solar days, unless otherwise notified.

3) PRICING The prices in the proposed order are quoted from the Price List which is valid on the date the order was issued. The discounts granted by the branch sales department of SEA shall apply only prior to acceptance on the part of SEA. The prices are for merchandise delivered ex-works from the SEA establishment in Teramo, not including VAT and special packaging. SEA reserves the right to change at any time this price list, providing timely notice to the sales network. The special sales conditions with extra discount on quantity basis (Qx, Qx1, Qx2, Qx3 formula) is reserved to official distributors under SEA management written agreement.

4) PAYMENTS The accepted forms of payment are each time notified or approved by SEA. The interest rate on delay in payment shall be 1.5% every month but anyway shall not be higher than the max. interest rate legally permitted.

5) DELIVERY Delivery shall take place, approximately and not peremptorily, within 30 working days from the date of receipt of the order, unless otherwise notified. Transport of the goods sold shall be at Buyer's cost and risk. SEA shall not bear the costs of delivery giving the goods to the carrier, as chosen either by SEA or by the Buyer. Any loss and/or damage of the goods during transport, are at Buyer's cost.

6) COMPLAINTS Any complaints and/or claims shall be sent to SEA within 8 solar days from receipt of the goods, proved by adequate supporting documents as to their truthfulness.

7) SUPPLY The concerning order will be accepted by SEA without any engagement and subordinately to the possibility to get it's supplies of raw material which is necessary for the production; Eventual completely or partially unsuccessful executions cannot be reason for complains or reservations for damage. SEA supply is strictly limited to the goods of its manufacturing, not including assembly, installation and testing. SEA, therefore, disclaims any responsibility for damage deriving, also to third parties, from non-compliance of safety standards and good practice during installation and use of the purchased products.

8) WARRANTY The standard warranty period is 12 months. This warranty time can be extended by means of expedition of the warranty coupon as follows:

SILVER: The mechanical components of the operators belonging to this line are guaranteed for 24 months from the date of manufacturing written on the operator.

GOLD: The mechanical components of the operators belonging to this line are guaranteed for 36 months from the date of manufacturing written on the operator.

PLATINUM: The mechanical components of the operators belonging to this line are guaranteed for 36 months from the date of manufacturing written on the operator. The base warranty (36 months) will be extended for further 24 months (up to a total of 60 months) when it is acquired the certificate of warranty which will be filled in and sent to SEA S.p.A. The electronic devices and the systems of command are guaranteed for 24 months from the date of manufacturing. In case of defective product, SEA undertakes to replace free of charge or to repair the goods provided that they are returned to SEA repair centre. The definition of warranty status is by unquestionable assessment of SEA. The replaced parts shall remain propriety of SEA. Binding upon the parties, the material held in warranty by the Buyer, must be sent back to SEA repair centre with fees prepaid, and shall be dispatched by SEA with carriage forward. The warranty shall not cover any required labour activities.

The recognized defects, whatever their nature, shall not produce any responsibility and/or damage claim on the part of the Buyer against SEA. The guarantee is in no case recognized if changes are made to the goods, or in the case of improper use, or in the case of tampering or improper assembly, or if the label affixed by the manufacturer has been removed including the SEA registered trademark No. 804888. Furthermore, the warranty shall not apply if SEA products are partly or completely coupled with non-original mechanical and/or electronic components, and in particular, without a specific relevant authorization, and if the Buyer is not making regular payments. The warranty shall not cover damage caused by transport, expendable material, faults due to non-conformity with performance specifications of the products shown in the price list. No indemnification is granted during repairing and/or replacing of the goods in warranty. SEA disclaims any responsibility for damage to objects and persons deriving from non-compliance with safety standards, installation instructions or use of sold goods. The repair of products under warranty and out of warranty is subject to compliance with the procedures notified by SEA.

9) RESERVED DOMAIN A clause of reserved domain applies to the sold goods; SEA shall decide autonomously whether to make use of it or not, whereby the Buyer purchases propriety of the goods only after full payment of the latter.

10) COMPETENT COURT OF LAW In case of disputes arising from the application of the agreement, the competent court of law is the tribunal of Teramo. SEA reserves the faculty to make technical changes to improve its own products, which are not in this price list at any moment and without notice. SEA declines any responsibility due to possible mistakes contained inside the present price list caused by printing and/or copying. The present price list cancels and substitutes the previous ones. The Buyer, according to the law No. 196/2003 (privacy code) consents to put his personal data, deriving from the present contract, in SEA archives and electronic files, and he also gives his consent to their treatment for commercial and administrative purposes.

Industrial ownership rights: once the Buyer has recognized that SEA has the exclusive legal ownership of the registered SEA brand num.804888 affixed on product labels and / or on manuals and / or on any other documentation, he will commit himself to use it in a way which does not reduce the value of these rights, he won't also remove, replace or modify brands or any other particularity from the products. Any kind of replication or use of SEA brand is forbidden as well as of any particularity on the products, unless preventive and expressed authorization by SEA.

In accomplishment with art. 1341 of the Italian Civil Law it will be approved expressly clauses under numbers:

4) PAYMENTS - 8) GUARANTEE - 10) COMPETENT COURT OF LAW

English GENERAL NOTICE FOR THE INSTALLER AND THE USER

1. Read carefully these **Instructions** before beginning to install the product. Store these instructions for future reference
2. Don't waste product packaging materials and /or circuits.
3. This product was designed and built strictly for the use indicated in this documentation. Any other use, not expressly indicated here, could compromise the good condition/operation of the product and/or be a source of danger. SEA S.p.A. declines all liability caused by improper use or different use in respect to the intended one.
4. The mechanical parts must be comply with Directives: Machine Regulation 2006/42/CE and following adjustments), Low Tension (2006/95/CE), electromgnetic Consistency (2004/108/CE) Installation must be done respecting Directives: EN12453 and En12445.
5. Do not install the equipment in an explosive atmosphere.
6. SEA S.p.A. is not responsible for failure to observe Good Techniques in the construction of the locking elements to motorize, or for any deformation that may occur during use.
7. Before attempting any job on the system, cut out electrical power and disconnect the batteries. Be sure that the earthing system is perfectly constructed, and connect it metal parts of the lock.
8. Use of the indicator-light is recommended for every system, as well as a warning sign well-fixed to the frame structure.
9. SEA S.p.A. declines all liability as concerns the automated system's security and efficiency, if components used, are not produced by SEAS.p.A..
10. For maintenance, strictly use original parts by SEA.
11. Do not modify in any way the components of the automated system.
12. The installer shall supply all information concerning system's manual functioning in case of emergency, and shall hand over to the user the warnings handbook supplied with the product.
13. Do not allow children or adults to stay near the product while it is operating. The application cannot be used by children, by people with reduced physical, mental or sensorial capacity, or by people without experience or necessary training. Keep remote controls or other pulse generators away from children, to prevent involuntary activation of the system.
14. Transit through the leaves is allowed only when the gate is fully open.
15. The User must not attempt to repair or to take direct action on the system and must solely contact qualified SEA personnel or SEA service centers. User can apply only the manual function of emergency.
16. The power cables maximum length between the central engine and motors should not be greater than 10 m. Use cables with 2,5 mm² section. Use double insulation cable (cable sheath) to the immediate vicinity of the terminals, in particular for the 230V cable. Keep an adequate distance (at least 2.5 mm in air), between the conductors in low voltage (230V) and the conductors in low voltage safety (SELV) or use an appropriate sheath that provides extra insulation having a thickness of 1 mm.



Automatic Gate Openers

Questo articolo è stato prodotto seguendo rigide procedure di lavorazione ed è stato testato singolarmente al fine di garantire i più alti livelli qualitativi e la vostra soddisfazione. Vi ringraziamo per aver scelto SEA.

This item has been produced following strict production procedures and has been singularly tested for the highest quality levels and for your complete satisfaction.
Thanks for choosing SEA.

Cet article a été produit suivant des procédures d'usinage strictes et il a singulièrement été testé afin de garantir les plus hauts niveaux de qualité pour votre satisfaction.
Nous vous remercions d'avoir choisi SEA.

Este artículo ha sido producido siguiendo rigidos procedimientos de elaboración y ha sido probando singolarmente a fin de garantizar los mas altos niveles de calidad y vuestra satisfaccion.
Le agradecemos por haber escogito SEA.



Automatic Gate Openers

International registered trademark n. 804888

SEA S.p.A.

Zona industriale 64020 S.ATTO Teramo - (ITALY)

Tel. +39 0861 588341 r.a. Fax +39 0861 588344

www.seateam.com

seacom@seateam.com